



203365A 120 Vac to 220/240 Vac Conversion Kit For Electronic Air Cleaners

INSTALLATION INSTRUCTIONS

APPLICATION

The 203365A Conversion Kit changes the 120 Vac, 60 Hz to 220/240 Vac, 50/60 Hz. The kit includes a transformer and two screws. The line cord on the air cleaner must be changed to conduit to complete the conversion.

NOTE: The air cleaner can be completely isolated from the electrical circuit of the HVAC system unless required by local code to use same circuit. Any convenient house circuit can power the air cleaner, regardless of electrical rating of HVAC system.

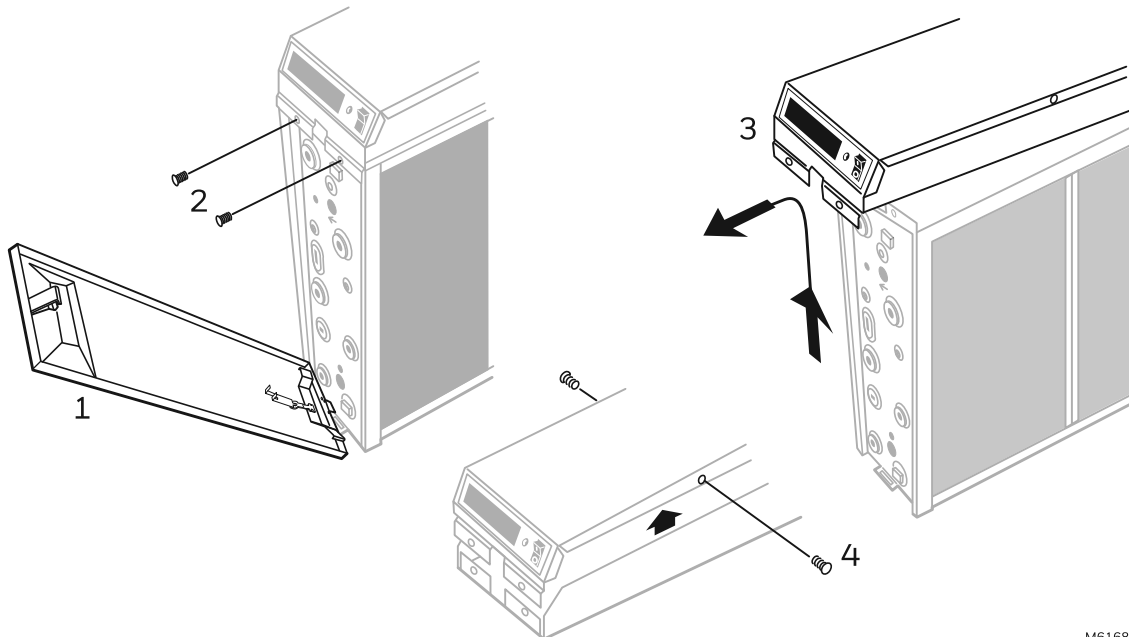
INSTALLATION

WHEN INSTALLING THIS PRODUCT...

1. Read these instructions carefully. Failure to follow them could damage the product or cause a hazardous condition.
2. Check the ratings given in the instructions and on the product to make sure the product is suitable for your application.
3. Installer must be a trained, experienced service technician.
4. After installation is complete, check out product operation as provided in these instructions.

MOUNT TRANSFORMER

1. Open access door.
2. Remove and retain the two screws from the front of the power box.
3. Lift and remove the power box.
4. Remove and retain the two screws from the sides of the power box. See Fig. 1.
5. Remove the power box cover.
6. Place the transformer on the mounting holes. See Fig. 2.



M6168B

Fig. 1. Remove power box.



69-0769-02

NOTE: Be sure the transformer terminals are located on the side away from the power supply. See Fig. 2.

7. Use the two provided screws to secure the transformer to the power box.

WIRE TRANSFORMER TO POWER SUPPLY (SEE FIG. 2)

1. Remove black wire from power supply P1 terminal and place it on one of the transformer terminals.
2. Connect the transformer black lead to the power supply P1 terminal.
3. Remove brown wire from power supply P2 terminal and place it on the empty transformer terminal.
4. Connect the transformer brown lead to the power supply P2 terminal.

See Fig. 3 for internal schematic for the electronic air cleaner with conversion kit.

CHANGE PLUG TO CONDUIT



CAUTION

ELECTRIC SHOCK HAZARD. CAN CAUSE ELECTRICAL SHOCK OR EQUIPMENT DAMAGE.

Disconnect power before installing replacement power supply board.

1. In the power box, remove and retain two wire nuts that connect the line cord leads to the power box wiring.
2. Remove the power green lead from the green grounding screw on the wiring compartment barrier.
3. Remove the power cord and the strain relief.
4. Put the provided plug in the hole left by the power cord.

COMPLETE WIRING

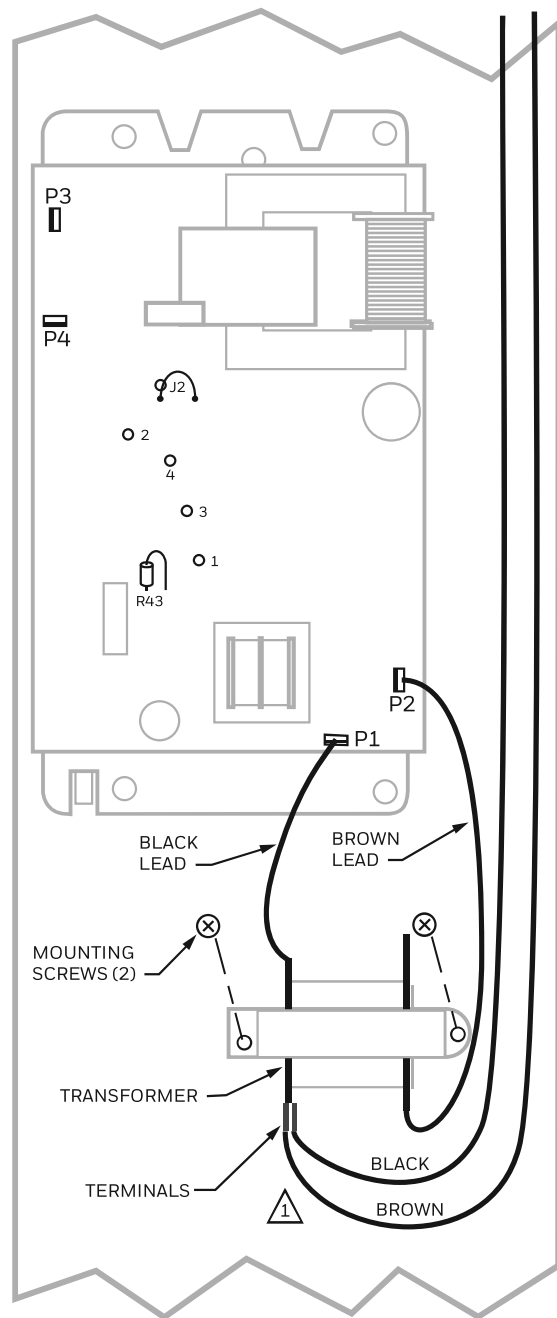


CAUTION

ELECTRIC SHOCK HAZARD. CAN CAUSE ELECTRICAL SHOCK OR EQUIPMENT DAMAGE.

Disconnect power before wiring.

1. Attach conduit through a power box side knock-out.
2. Wire the air cleaner directly to the line voltage using wire nuts. See Fig. 3. Secure ground connection to the green ground screw on the wiring compartment barrier.
3. Replace power supply box, cover and access door.



BROWN AND BLACK WIRES OFF OF P1 AND P2 TERMINALS CAN GO ON EITHER TRANSFORMER TERMINAL.

M5767A

Fig. 2. Mount and wire transformer.

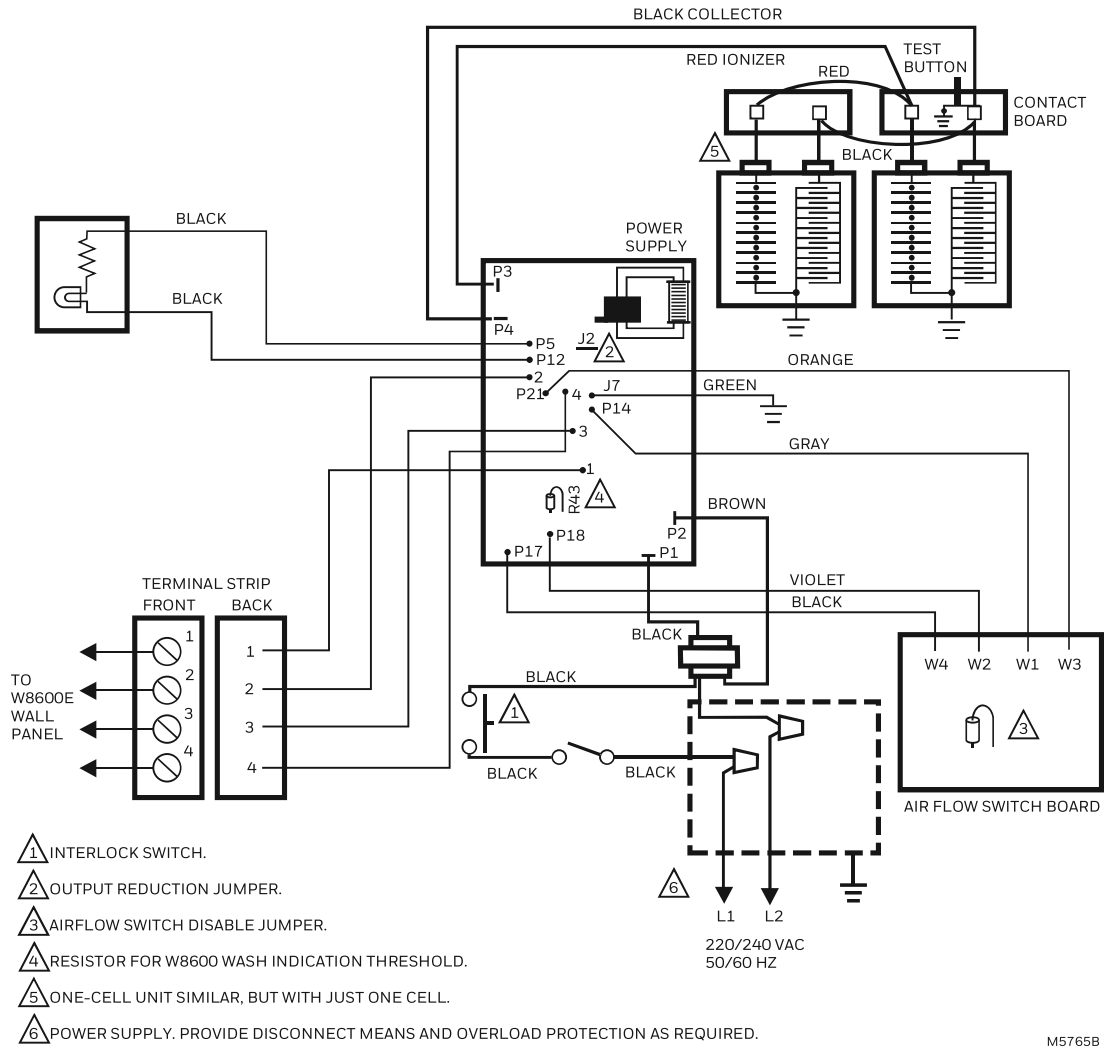


Fig. 3. Internal schematic for electronic air cleaner with 203365A Conversion Kit.

CHECKOUT



WARNING

**ELECTRIC SHOCK HAZARD.
CAN CAUSE PERSONAL INJURY OR
EQUIPMENT DAMAGE.**

The following procedures expose hazardous live parts. Disconnect from power supply between checks and proceed carefully. These instructions are for use by only qualified personnel.

With all components in place, connect power to the air cleaner. Turn on the air cleaner switch to energize the system blower. Check the following points of operation:

1. The neon light next to the on-off switch is on. If a W8600E is part of the installation, check the wall panel and make sure the ON LED is lit. The W8600E CHECK LED will come on if there is a problem with the high voltage power supply.
2. Turn off the system blower. The neon light should go off after a few seconds. The neon light indicates that the air cleaner is energized and the high voltage power supply is working properly.
3. Turn on the system blower. With the air cleaner energized, push the test button. A snapping sound indicates that the collector voltage is present on the cell. The W8600E CHECK LED will come on when the test button is held down.
4. With a multispeed blower, repeat steps 1 through 3 for each fan speed.
5. If operation is not as described, refer to the Electrical Troubleshooting section.

Electrical Troubleshooting



WARNING

**ELECTRIC SHOCK HAZARD.
CAN CAUSE PERSONAL INJURY OR
EQUIPMENT DAMAGE.**

The following procedures expose hazardous live parts. Disconnect from power supply between checks and proceed carefully. These instructions are for use by only qualified personnel.

TOOLS AND EQUIPMENT

Troubleshooting the electronic air cleaner requires:

- Needle nose pliers for stringing ionizer wires and inserting edge connectors.
- Test meter.

NEON LIGHT (ON POWER BOX)

The neon light is powered through the power supply and is on when the power supply output voltage is normal.

TEST BUTTON

When pushed, the *test button* shorts from collector voltage to ground. The resulting arcing sound indicates that high voltage is being supplied to the collector. The solid state power supply controls current flow to the collector. On air cleaners with a W8600E, the CHECK LED will come on when the *test button* is held down.

CHECK LED (AIR CLEANERS WITH W8600E)

The CHECK LED is on the W8600E. It lights to indicate the following problems: excessive dirt loading (beyond that required to activate the WASH LED), partial shorting of the collector, continuous ionizer or collector arcing, power supply failure, excessive ionizer current, or any condition causing a major reduction in high voltage.

POWER BOX



WARNING

**ELECTRIC SHOCK HAZARD.
CAN CAUSE PERSONAL INJURY.**

Always turn off power and remove access door before removing power supply or its cover.

The solid-state power supply within the power supply box can be replaced. When troubleshooting indicates a power supply or solid-state performance indicator problem, replace the entire power box or replace the power supply within the box. See Installation Instructions, form 69-0776. See Fig. 1 for power box removal.

TROUBLESHOOTING PROCEDURE

The electronic air cleaner troubleshooting chart shows how to quickly isolate a problem in the air cleaner. See Fig. 4. Although a meter is needed for some steps, the primary diagnostic tools are the *neon light* and the *test button*.

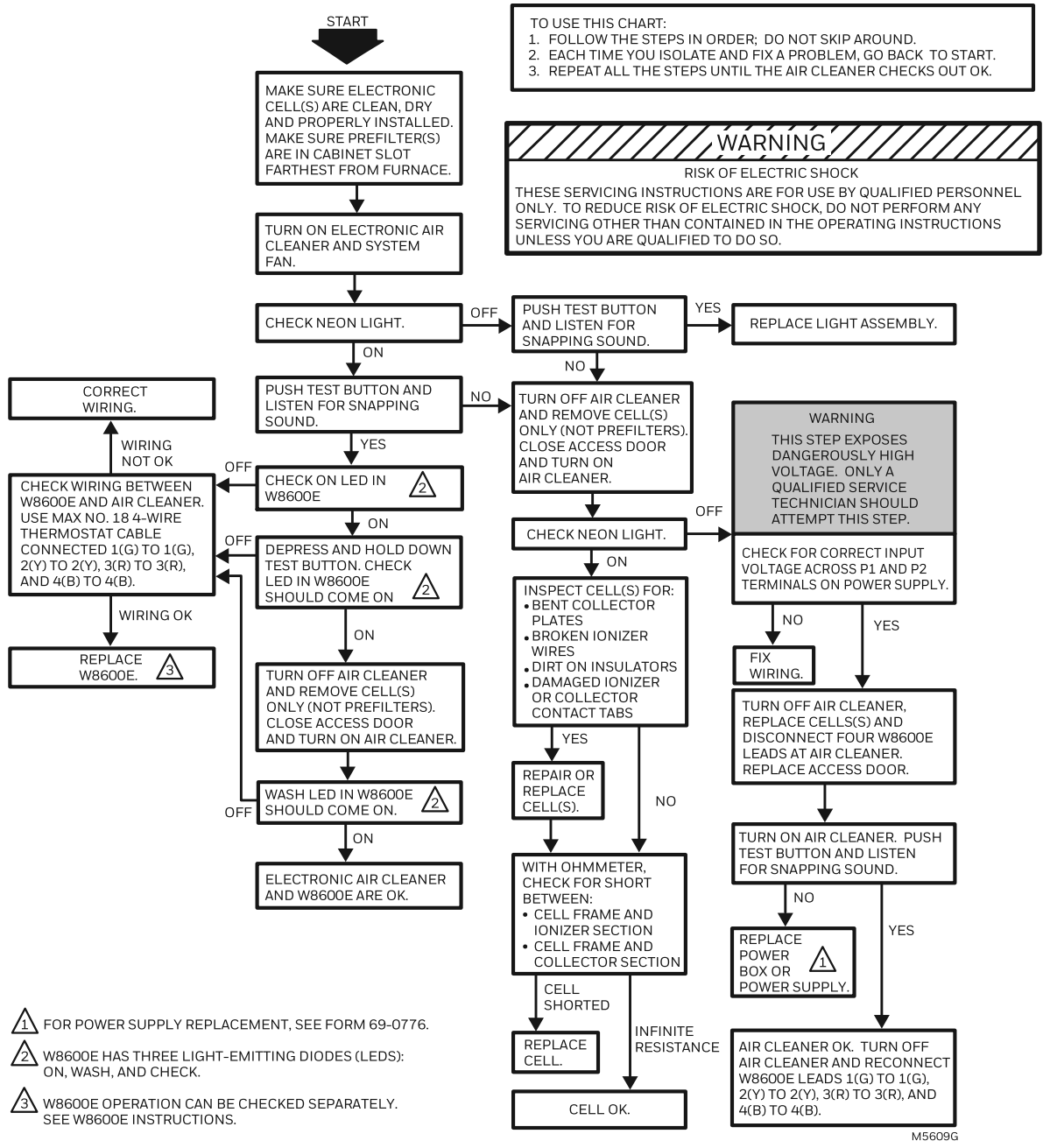


Fig. 4. Troubleshooting air cleaners with solid-state performance indicator.



resideo

Resideo Inc., 1985 Douglas Drive North,
Golden Valley, MN 55422

www.resideo.com 69-0769-02 M.S. Rev. 07-19 | Printed in United States

This product is manufactured by Resideo Technologies, Inc., Golden Valley, MN, 1-800-468-1502

©2019 Resideo Technologies, Inc. The Honeywell Home trademark is used under license from Honeywell International Inc. All rights reserved.