



DR90/DR120A3000

PROFESSIONAL INSTALLATION GUIDE
 GUIDE D'INSTALLATION PROFESSIONNELLE
 GUÍA DE INSTALACIÓN PROFESIONAL

INCLUDED IN THIS BOX



OPTIONAL CONTROLS SOLD SEPARATELY



Tools required to install DR90/DR120A3000

Dehumidifier

- ▶ 3/8" hex drive
- ▶ Drill or duct cutting tool
- ▶ Wire stripper/cutter
- ▶ Scissors or utility knife
- ▶ Standard screwdriver
- ▶ T25 Torx screwdriver
- ▶ Duct tape
- ▶ 10" round duct and starter collar
- ▶ 3/4" male NPT to drain line adaptor (1/2" Dia. recommended)
- ▶ 1/2" diameter drain line (8')
- ▶ 1/2" drain clamps (2)

Options

- ▶ 1/2" drain p-trap (may be required by local code)
- ▶ Drain pan
- ▶ Float switch or water sensor

- A₁ DR90A3000 (1) or
- A₂ DR120A3000 (1)
- B MERV 11 Filter (1)
- C Filter Door (2)
- D Installation Guide
- E₁ Prestige IAQ Kit
- E₂ TruelAQ
- E₃ H8908 Manual Dehumidistat
- E₄ VisionPRO™ Smart or VisionPRO™ RedLINK
- E₅ H6062 HumidiPRO Digital Humidity Control
- E₆ T10 Pro Smart



Installation Checklist

Included in This Box

- A1 DR90A3000 (1) or
- A2 DR120A3000 (1)
- B MERV 11 Filter (1)
- C Filter Door (2)
- D Installation Guide

Control Options (Sold separately)

- E1 Prestige IAQ Kit
- E2 TrueIAQ
- E3 H8908 Manual Dehumidistat
- E4 VisionPRO™ Smart or VisionPRO™ RedLINK
- E5 H6062 HumidiPRO Digital Humidity Control
- E6 T10 Pro Smart

Tools Required (Not Supplied)

- 3/8" hex drive
- Drill or duct cutting tool
- Wire stripper/cutter
- Scissors or utility knife
- Standard screwdriver
- T25 Torx screwdriver
- Duct tape
- 10" round duct and starter collar
- 18-22 gauge, 5 band thermostat wire
- 1/2" diameter drain line (8')
- 1/2" drain clamps (2)
- 3/4" male NPT to drain line adaptor (1/2" Dia. recommended)

Options

- 1/2" drain p-trap (may be required by local code)
- Drain pan
- Float switch or water sensor



Warning: Installation must be performed by a qualified service technician and must comply with local codes. Remove power to the device before installing or servicing the device. Failure to connect the device according to these instructions may result in damage to the device or the controls.
INSTALLATION INSTRUCTIONS BEGIN ON PAGE 6

Liste de vérification pour l'installation

Inclus dans cette boîte

- A1 Unité DR90A3000 (1) ou
- A2 Unité DR120A3000 (1)
- B Filtre MERV 11 (1)
- C Trappe du filtre (2)
- D Guide d'installation

Options de régulateurs (vendus séparément)

- E1 Nécessaire Prestige IAQ
- E2 True IAQ
- E3 Déshumidistat manuel H8908
- E4 VisionPRO™ Smart ou VisionPRO™ RedLINK
- E5 Régulateur d'humidité numérique HumidiPRO H6062
- E6 T10 Pro Smart

Outils requis (non fournis)

- Tournevis cruciforme 3/8 po
- Outil de perçage ou de coupe de conduit
- Dénudeur/coupe-fils
- Ciseaux ou couteau à lame rétractable
- Tournevis normal
- Tournevis Torx T25
- Ruban adhésif
- Collet de conduit et de départ rond de 10 po (25,4 cm)
- Fil de thermostat 5 bandes calibre 18-22
- Tuyau de vidange de 1/2 po de dia. (8 pieds [2,4 m])
- Attaches de tuyau de vidange de 1/2 po [1,3 cm] (2)
- Adaptateur mâle 3/4 po NPT vers conduite de vidange (diamètre de 1/2 po recommandé)

Options

- Siphon-P de vidange d'1/2 po [1,3 cm] (peut-être requis par le code local)
- Bac de récupération
- Flotteur ou capteur d'eau



Avertissement : L'installation doit être effectuée par un technicien d'entretien qualifié et conformément aux codes locaux en vigueur. Couper l'alimentation vers l'appareil avant d'installer ou de réparer cet appareil. Un raccordement de cet appareil non conforme à ces instructions peut entraîner des dommages à l'appareil ou aux commandes.
INSTRUCTIONS D'INSTALLATION COMMENCENT À LA PAGE 6

Lista de verificación para la instalación

Esta caja incluye

- A1 DR90A3000 (1) o
- A2 DR120A3000 (1)
- B Filtro MERV 11 (1)
- C Puerta del filtro (2)
- D Guía de instalación

Opciones de control (se venden por separado)

- E1 Kit Prestige IAQ
- E2 True IAQ
- E3 Deshumidistato manual H8908
- E4 VisionPRO™ Smart o VisionPRO™ RedLINK
- E5 Control de humedad digital HumidiPRO H6062
- E6 T10 Pro Smart

Herramientas necesarias (no se suministran)

- Impulsor de cabeza hexagonal de 3/8 pulgadas (9.5 mm)
- Taladro o herramienta cortante para conductos
- Alicates o cortadores de cables
- Tijera o navaja
- Destornillador estándar
- Destornillador Torx T25
- Cinta para conductos
- Conduco redondo de 10 pulgadas (25,4 cm) y collar de arranque
- Cable de termostato calibre 18 a 22, de 5 bandas
- Línea de desagüe de 1/2 pulgada (12,7 mm) de diámetro (8 pies [2,4 m])
- Abrazaderas de desagüe de 1/2 pulgada [12,7 mm] (2)
- NPT macho de 3/4 pulgada (19,1 mm) para drenar el adaptador de tubería (se recomienda un diámetro de 1/2 pulgada [12,7 mm])

Opciones

- Trampa en P para desagüe de 1/2 pulgada [12,7 mm] (es posible que el código local la exija)
- Bandeja para drenaje
- Interruptor del flotador o sensor de agua



Advertencia: La instalación la debe realizar un técnico de reparación calificado y debe cumplir con los códigos locales. Retire la fuente de energía del dispositivo antes de instalar o reparar el dispositivo. Si no conecta el dispositivo según estas instrucciones, el dispositivo o los controles se pueden dañar.
LAS INSTRUCCIONES DE INSTALACIÓN COMIENZAN EN LA PÁGINA 6

DR90/DR120A3000

ABOUT YOUR DEHUMIDIFIER

About the DR90/DR120A3000 Dehumidifier 2
Control Options 3
DR90 Specifications 4
DR120 Specifications 5

INSTALLATION

Install to Fit Your Application 6
Install to Fit Your Application (continued) 7
Plumbing 7
Terminal Description 8
Wiring 8
Checkout 11

MAINTENANCE

Cleaning 11
Technical Description 12
Troubleshooting 12
DR90 Parts List 14
DR120 Parts List 15
5-Year Limited Warranty 16

- The DR90/DR120A3000 is designed to be installed indoors in a space that is protected from rain and flooding.
- Install the unit with space to access the front panel for maintenance and service.
- Avoid directing the discharge air at people, or over the water in pool areas.
- If used near a pool or spa, be certain there is no chance the unit could fall into the water or be splashed, and that it is plugged into a ground fault interrupt (GFI) outlet.
- To ensure quiet operation, do not place the device directly on the structural supports of the home.
- A drain pan must be placed under the unit if installed above a living area or above an area where water leakage could cause damage.



- 1. Never operate a unit with a damaged power cord. If the power cord is damaged it must be replaced by the manufacturer, its service agent, or similarly qualified person in order to avoid a hazard.**
- 2. The appliance is not intended for use by persons (including children) with reduced physical, sensory, or mental capabilities, or lack of experience and knowledge, unless they have been given supervision or instruction concerning use of the appliance by a person responsible for their safety. Children should be supervised to ensure that they do not play with the appliance.**



NEED HELP? For assistance with this product please visit <http://customer.resideo.com> or call Customer Care toll-free at 1-800-468-1502.

Read and save these instructions.

About the DR90/DR120A3000 Dehumidifier

The DR90/DR120A3000 ensures the home is maintained at proper humidity levels through its high performance and efficiency.

Benefits

- Removes up to 90 (DR90) or 120 (DR120) pints of water per day from the indoor air
- Built-in fresh air supply
- Energy Star Rated
- Built-in transformer circuit breaker



Maintaining Ideal Humidity

Dew points and relative humidity (RH) affect the way your body senses heat. Higher humidity levels cause the air to feel much hotter than the actual temperature. When maintained properly, your cooling equipment may not run as much because dehumidified air feels cooler.

Ideal humidity is defined by industry experts* as being between 40-60% on an average annual basis.

WHAT THE AIR FEELS LIKE

HOW HOT THE HEAT-HUMIDITY COMBINATION MAKES IT FEEL.
EXAMPLE: AIR AT 90°F WITH 50% RH FEELS LIKE 96°F TO THE HUMAN BODY!

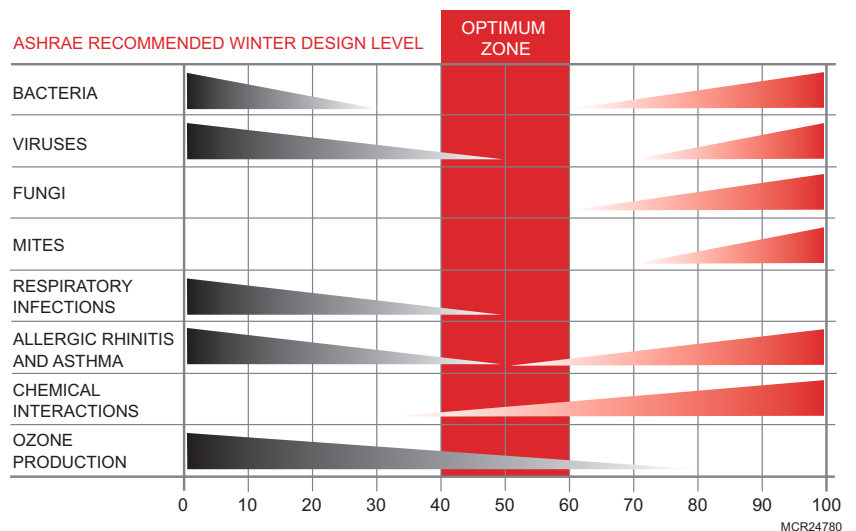
		RELATIVE HUMIDITY (PERCENTAGE)																					
		0	5	10	15	20	25	30	35	40	45	50	55	60	65	70	75	80	85	90	95	100	
AIR TEMPERATURE (DEGREES FAHRENHEIT)	100	91	93	95	97	99	101	104	107	110	115	120	126	132	138	144							
	95	87	88	90	91	93	94	96	98	101	104	107	110	114	118	124	130	136					
	90	83	84	85	86	87	88	90	91	93	95	96	98	100	102	106	109	113	117	122			
	85	78	79	80	81	82	83	84	85	86	87	88	89	90	91	93	95	97	99	102	105	108	
	80	73	74	75	76	77	77	78	79	79	80	81	81	82	83	85	86	86	87	88	89	91	
	75	69	69	70	71	72	72	73	73	74	74	75	75	76	76	77	77	78	78	79	79	80	
	70	64	64	65	65	66	66	67	67	68	68	69	69	70	70	70	71	71	71	71	71	71	72

■ EXTREME DANGER
■ DANGER
■ EXTREME CAUTION
■ CAUTION

SOURCE: TEMPERATURE - HUMIDITY INDEX WAS DERIVED BY R.G. STEADMAN, JOURNAL OF APPLIED METEOROLOGY, JULY 1979. M27328

When indoor humidity exceeds 60%, the home is more susceptible to mold and mildew growth. DR90/DR120A3000 safeguards against excessive humidity in the home year-round.

*American Society of Heating, Refrigerating and Air Conditioning Engineers (ASHRAE).



Control Options

The DR90/DR120A3000 may be used with one of the following external controls:



T10 Pro Smart Thermostat

- Controls both heating/cooling and ventilation.
- Ventilation programming for time of day or Ashrae standards.
- Optional ventilation lockouts for high/low temp or humidity conditions using Internet weather when registered to the app.



Prestige™ IAQ Thermostat Kit

- Controls both heating/cooling and ventilation.
- Wireless sensor for displaying outdoor temperature and humidity.
- Advanced ventilation programming includes economizing and extreme condition shutdown.
- Maintenance and service reminders.
- High definition color display.
- RedLINK™ Wireless technology



VisionPRO™ Smart or VisionPRO™ RedLINK Thermostat

- Wi-Fi™ (TH8321WF1001) or RedLINK™ Wireless technology (TH8321R1001)
- Controls heating/cooling and ventilation.
- Display outdoor temperature and humidity.
- Ventilation programming for time of day or Ashrae standards.
- Optional ventilation lockouts for high/low temp or humidity conditions. C7089R1013 wireless outdoor sensor for RedLINK model. Internet weather for Smart model.



HumidiPRO Digital Control

- Manual dehumidification control
- Dehumidifier compressor protection
- RH% and outdoor temperature calibration
- Adjustable high and low range stops (10-90%)



TrueIAQ Digital Control

- Automatic adjustments maintain fresh air in home.
- Sensor for displaying outdoor temperature and humidity.
- Advanced ventilation programming includes economizing and extreme condition shutdown.
- Maintenance and service reminders.
- Controls other indoor air quality equipment.



Manual Dehumidistat and Automatic Ventilation Controls

- Manual humidity control with intuitive comfort settings.
- Automatic W8150 ventilation control to ASHRAE standard, or for continuous operation.

DR90 Specifications

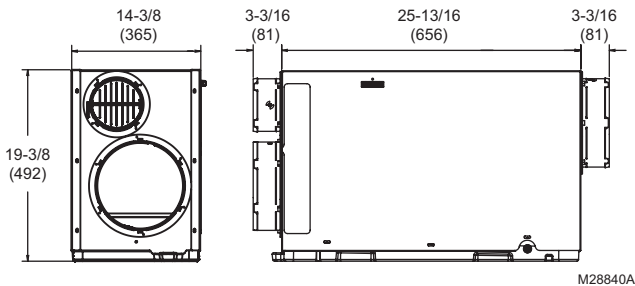
Install DR90A3000 according to National Electric Codes.

Dry-Bulb Temp	Intake Humidity	Capacity (Pints/Day)
80°F (26.7°C)	60% RH	90
70°F (21.1°C)	60% RH	65
60°F (15.6°C)	60% RH	47

Home Size (square ft [m])	Dehumidifier Capacity Required to Maintain Desired Indoor RH*		
	60% RH Indoor (pints/day)	50% RH Indoor (pints/day)	40% RH Indoor (pints/day)
2080 (193.2)	49–54	55–58	71–78
2600 (241.5)	61–68	65–72	90–97
3120 (289.9)	75–82	79–86	95–110

* Based on extreme climates where outdoor humidity is 70-90% RH. For less extreme climates, larger homes can be adequately served with less capacity. Actual requirements may vary.

Dimensions in inches and (mm):



Product weight: 86 lbs.

Shipping weight: 95 lbs.

Shipping dimensions: 25.2" H × 19.3" W × 35.8" L

Media Filter: MERV 11, 14" H × 17.5" W × 1.75" L

Drain connection: 3/4" threaded female NPT connection.

Duct connections: 10" round inlet and outlet. 6" supply inlet.
ABS plastic, compatible for connection to rigid or flexible ducting with sheet metal screws and/or tape.

Cabinet: 20 ga

Insulation: R value 1

Compressor: Rotary, 7.3k BTU

Refrigerant: R-410A, 25 oz

Operating Temp Range (outside cabinet):

34°F to 135°F (1.1°C to 57.2°C)

Operating Humidity Range: 0-99% RH

Airflow versus external static pressure (0–1 in. [0 – 25.4 mm] water pressure) with collars attached

0 in. (0 mm)	320 CFM
0.2 in. (5 mm)	280 CFM
0.4 in. (10 mm)	260 CFM
0.6 in. (15.2 mm)	215 CFM

Input ratings

- Electrical input voltage: 120 VAC, 60 Hz nominal
- Input current: 5.3 A

Output ratings

- **Power transformer to R/C terminals:** 24 VAC, 0.85 A
- **Energy Performance:** 2.9 liters (6.1 pints) per kilowatt hour (KWH)

Standards and approval body requirements

- ETL Listed per UL 474 and CSA C22.2 No 92
- ENERGY STAR rated.

DR120 Specifications

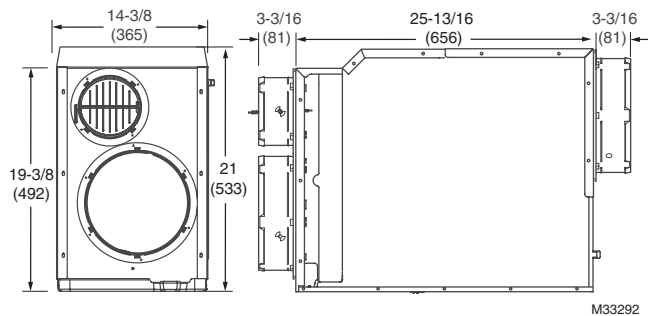
Install DR120A3000 according to National Electric Codes.

Dry-Bulb Temp	Intake Humidity	Capacity (Pints/Day)
80°F (26.7°C)	60% RH	120
70°F (21.1°C)	60% RH	88
60°F (15.6°C)	60% RH	63

Home Size (square ft [m])	Dehumidifier Capacity Required to Maintain Desired Indoor RH*		
	60% RH Indoor (pints/day)	50% RH Indoor (pints/day)	40% RH Indoor (pints/day)
2080 (193.2)	49-54	55-58	71-78
2600 (241.5)	61-68	65-72	90-97
3120 (289.9)	75-82	79-86	95-110

* Based on extreme climates where outdoor humidity is 70-90% RH. For less extreme climates, larger homes can be adequately served with less capacity. Actual requirements may vary.

Dimensions in inches and (mm):



Product weight: 95 lbs.

Shipping weight: 104 lbs.

Shipping dimensions: 26" H × 19.3" W × 35.8" L

Media Filter: MERV 11, 14" H × 17.5" W × 1.75" L

Drain connection: 3/4" threaded female NPT connection.

Duct connections: 10" round inlet and outlet. 6" supply inlet. ABS plastic, compatible for connection to rigid or flexible ducting with sheet metal screws and/or tape.

Cabinet: 20 ga

Insulation: R value 1

Compressor: Rotary, 9.4k BTU

Refrigerant: R-410A, 30 oz

Operating Temp Range (outside cabinet): 34°F to 135°F (1.1°C to 57.2°C)

Operating Humidity Range: 0-99% RH

Airflow versus external static pressure (0-1 in. [0 - 25.4 mm] water pressure) with collars attached

0 in. (0 mm)	400 CFM
0.2 in. (5 mm)	345 CFM
0.4 in. (10 mm)	295 CFM
0.6 in. (15.2 mm)	250 CFM

Input ratings

- Electrical input voltage: 120 VAC, 60 Hz nominal
- Input current: 7.3 A

Output ratings

- **Power transformer to R/C terminals:** 24 VAC, 0.85 A
- **Energy Performance:** 2.9 liters (6.1 pints) per kilowatt hour (KWH)

Standards and approval body requirements

- ETL Listed per UL 474 and CSA C22.2 No 92
- ENERGY STAR rated.

Install to Fit Your Application

Flex duct is recommended in connecting to the DR90/DR120A3000 collars to reduce vibration noise.



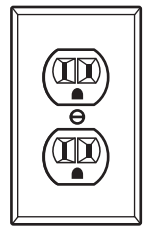
Duct Sizing: Use minimum 10" diameter round for duct lengths up to 25'. Minimum 12" required for lengths longer than 25'. Duct branches from the main inlet/exhaust should be minimum 10" round for 2-3 branches, and 12" round or larger for 4 branches or more.

For the optional fresh air ventilator port, use 6" round, insulated duct for lengths up to 50'. Use 8" round duct for more than 50' if more than 100 CFM is required.

Isolated Areas: Effective dehumidification may require ducting to isolated or stagnant air flow areas.

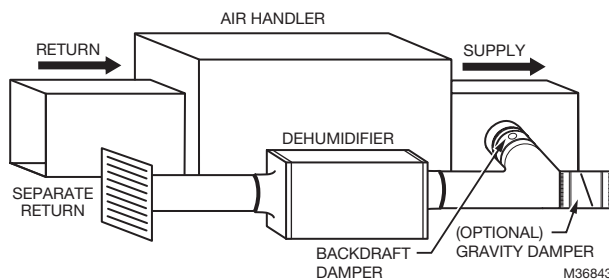
Electrical requirements:

115 VAC outlet. Ground fault interrupter (GFI) recommended.



M24745

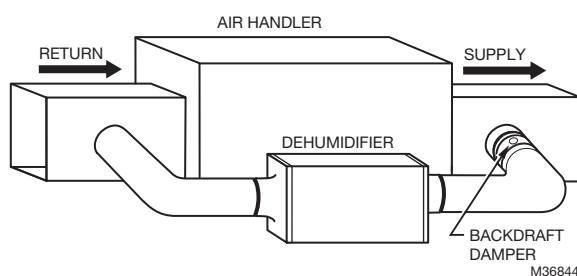
A Dedicated Return to Main Supply



Ideal when...

- Access to dedicated central return for dehumidifier is available.
- Combined with A/C operation, requires backdraft damper on the exhaust port to minimize backdraft when dehumidifier is not on but A/C is.
- (optional) Duct humidifier supply with 20% open gravity damper to provide dry air to a specific area

B Main Return to Main Supply



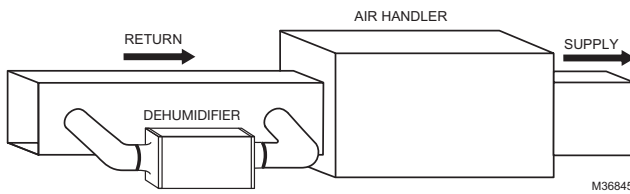
Ideal when...

- Running dehumidifier when not running A/C.
- Requires damper on the exhaust port to minimize backdraft when DR90/DR120A3000 is not on but A/C is.
- Access to a dedicated central return is not possible.
- System fan should run with dehumidifier for best results.

Install to Fit Your Application (continued)

C

Main Return to Main Return

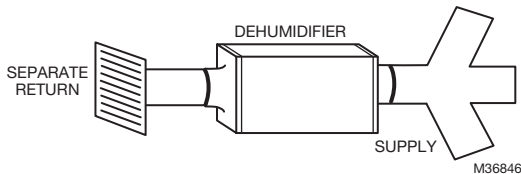


Ideal when...

- Running DR90/DR120A3000 with A/C operation.
- Minimizing discharge air temperature (DAT) increase is preferred.
- Access to a dedicated return is not possible.

D

Dedicated Return to Dedicated Supply



Ideal when...

- The dehumidifier will not be ducted to a forced air HVAC system.

Plumbing



Attach 3/4" male NPT drain nozzle.

Connect 1/2" drain tube to male connection drain outlet.
Secure drain tube to connector with hose clamp.

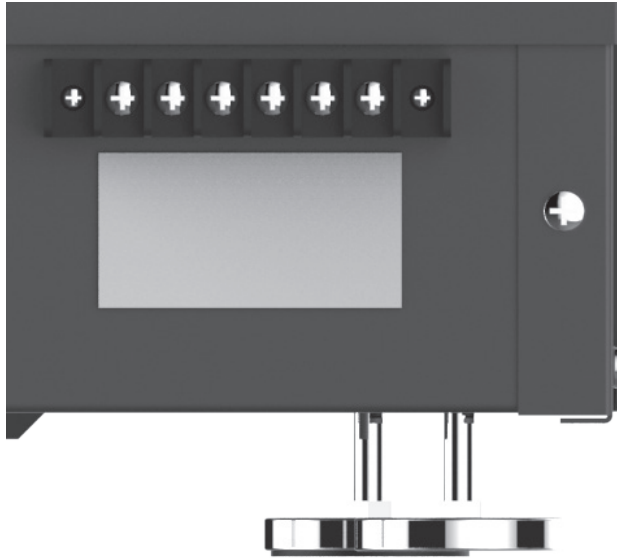
Run drain hose continuously downhill to an approved drain or condensate pump.

The drain line must include a water trap to prevent air from entering or exiting the dehumidifier.

Terminal Description



CAUTION: Low voltage hazard.
Can cause equipment damage.
Disconnect HVAC equipment before beginning installation.



NOTE: The outer screws on the terminal block secure the block to the chassis. They are not used for wiring.

A wiring terminal block is located on the side panel of the dehumidifier unit.

The six terminals for the terminal block (reading from left to right in the photo) are:

FLOAT: External low voltage float switch or water sensor (two terminals). Use normally closed switch.

DHUM: Compressor and fan operation for dehumidification

R: DR90/DR120 24V output

FAN: Fan activation only for ventilation

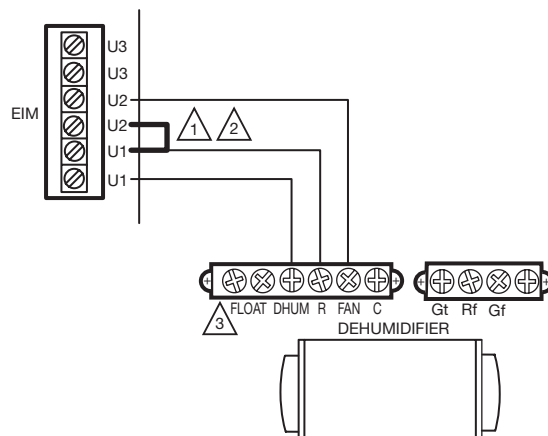
C: DR90/DR120 24V output

External 24V devices can be powered from R and C terminals (20VA max.).

Wiring

Wire the DR90/DR120A3000 according to the diagram that applies to your desired operation.

Follow this diagram if using the Prestige thermostat.



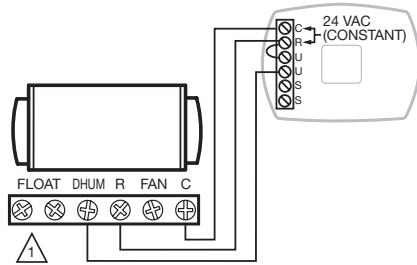
1 IN THIS DIAGRAM, U1 CONTROLS THE DR90/DR120 FOR DEHUM AND U2 CONTROLS THE DR90/DR120 FOR VENTILATION.

2 INSTALL A JUMPER ON EIM AS SHOWN ONLY WHEN USING THE DR90/DR120 FOR VENTILATION IN ADDITION TO DEHUMIDIFICATION.

3 IF A FLOAT SWITCH IS NOT USED, THEN JUMPER THE FLOAT TERMINALS.
M38418

Wiring (continued)

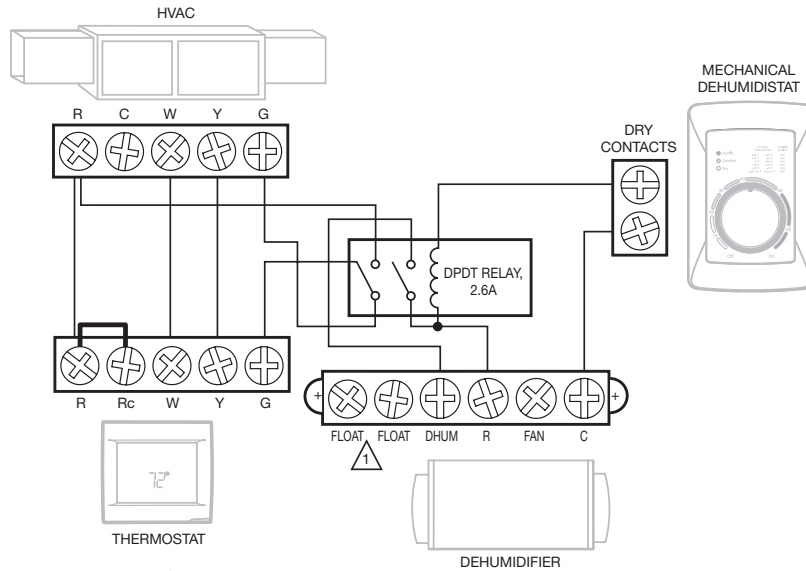
FOLLOW THIS DIAGRAM IF USING THE HUMIDIPRO DIGITAL HUMIDITY CONTROLLER.



⚠️ IF A FLOAT SWITCH IS NOT USED, THEN JUMPER THE FLOAT TERMINALS.

M37492A

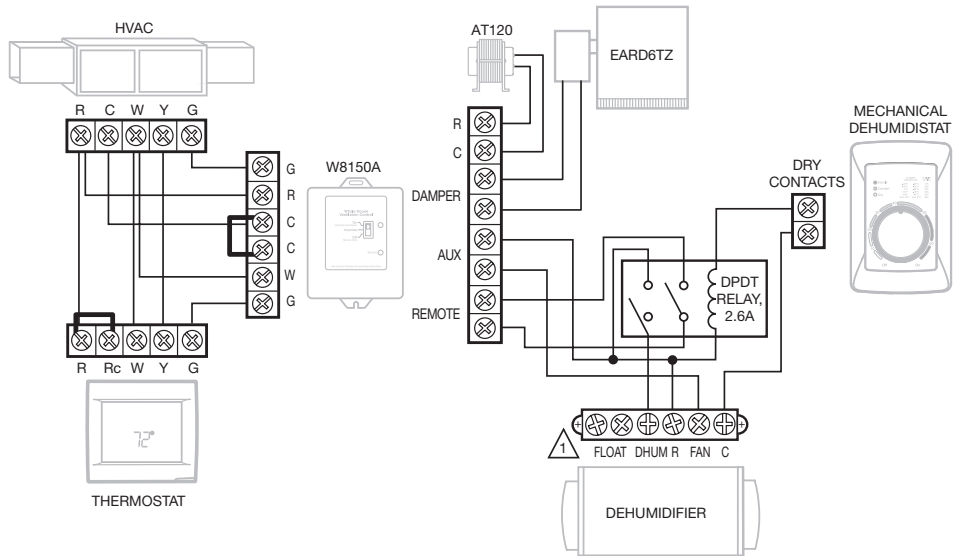
FOLLOW THIS DIAGRAM FOR DUCTED OPERATION WITH AN EXTERNAL HUMIDITY CONTROL.



⚠️ IF A FLOAT SWITCH IS NOT USED, THEN JUMPER THE FLOAT TERMINALS.

M36854A

FOLLOW THIS DIAGRAM FOR DUCTED OPERATION WITH EXTERNAL HUMIDITY AND VENTILATION CONTROL.

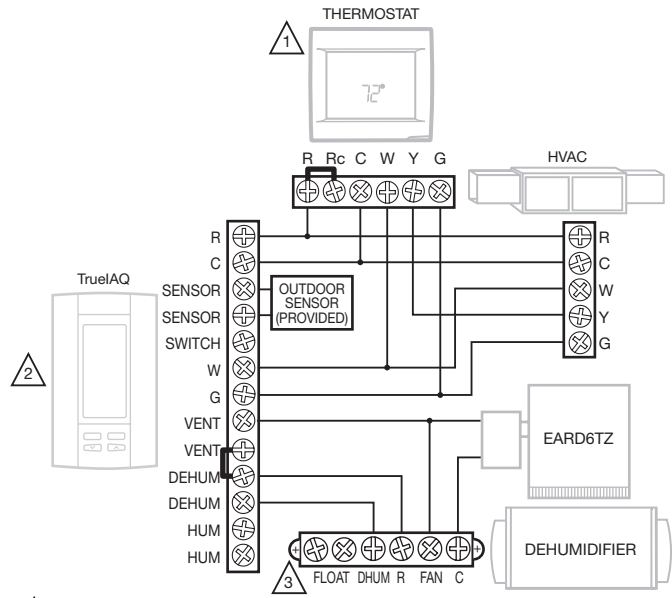


⚠️ IF A FLOAT SWITCH IS NOT USED, THEN JUMPER THE FLOAT TERMINALS.

M36855A

Wiring (continued)

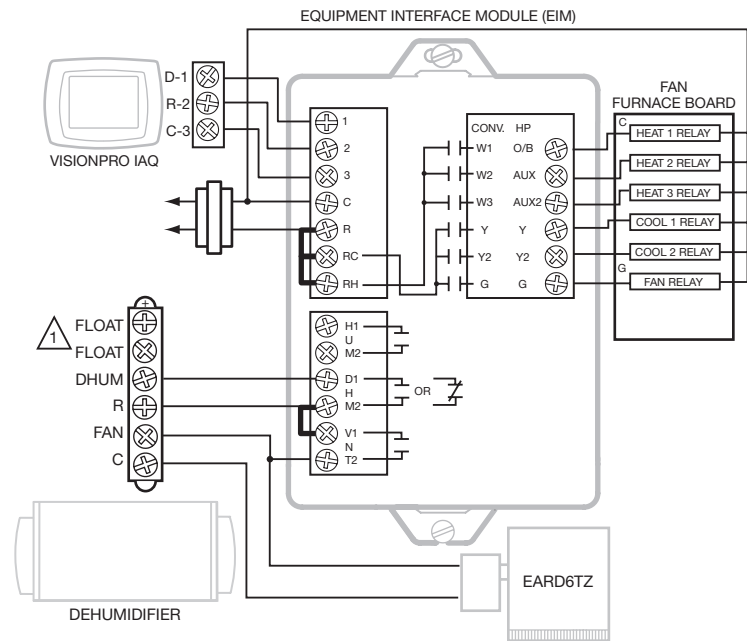
Follow this diagram if using DR90/DR120A3000 with a powered dehumidistat such as TruelAQ (DG115EZIQ).



- 1 IF A THERMOSTAT OTHER THAN A TH5110, TH5220, TH5320, TH6110, TH6220, TH6320, TH8110, TH8320, OR TH8321 IS USED, A RELAY MAY BE REQUIRED TO ISOLATE THE G WIRE.
- 2 PROGRAM ISU SETTING 60 TO 0 TO FORCE SYSTEM FAN ON WITH DEHUMIDIFICATION CALL.
- 3 IF A FLOAT SWITCH IS NOT USED, THEN JUMPER THE FLOAT TERMINALS.

M36856A

Follow this diagram if using DR90/DR120A3000 with a VisionPRO IAQ.



- 1 IF A FLOAT SWITCH IS NOT USED, THEN JUMPER THE FLOAT TERMINALS.

M36857A

Checkout

Apply power to DR90/DR120A3000. Turn the humidity control to a low RH% level to initiate a dehumidification call. Confirm that the DR90/DR120A3000 compressor and fan turn on. The furnace blower will also turn on to circulate air. This will take up to two minutes. Be sure to turn the control to the desired RH% or to Off when checkout is complete.

If using for ventilation, initiate a call for ventilation. Confirm that the DR90/DR120A3000 fan turned on, but that the compressor remained off.

Cleaning

On an annual basis, perform the following maintenance requirement to ensure the dehumidifier runs at peak efficiency.

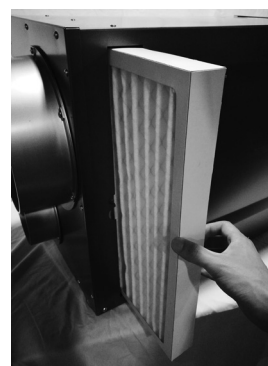
1

Unplug DR90/DR120A3000 before beginning service. Remove the magnetic filter door.



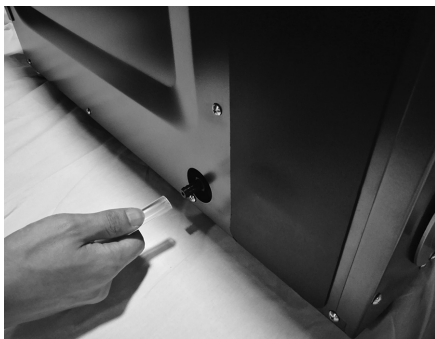
2

Remove filter and replace with new filter.



3

Check the drain connection and drain line to ensure it is clear of debris and sludge. Ensure all hose connections are secure once maintenance of the drain lines is complete.

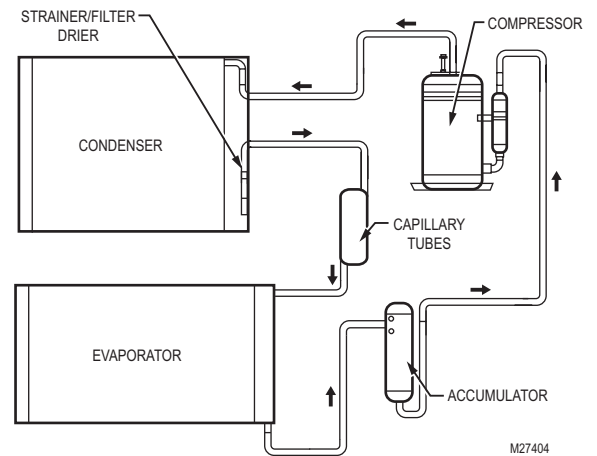


4

When service is complete, initiate a call for dehumidification and check that the compressor and fan activate. If using the VisionPRO IAQ or TrueIAQ controls, reset maintenance reminders.

Technical Description

DR90/DR120A3000 uses a refrigeration system similar to an air conditioner to remove heat and moisture from incoming air and add heat to the air that is discharged. Hot, high-pressure refrigerant gas is routed from the compressor to the condenser coil. The refrigerant is cooled and condensed by giving up its heat to the air that is about to be discharged from the unit. The refrigerant liquid then passes through a filter drier and capillary tubing which causes the refrigerant pressure and temperature to drop. It next enters the evaporator coil where it absorbs heat from the incoming air and evaporates. The evaporator operates in a flooded condition, which means that all the evaporator tubes contain liquid refrigerant during normal operation. A flooded evaporator should maintain nearly constant pressure and temperature across the entire coil, from inlet to outlet.



Troubleshooting

Troubleshooting videos are available on the Resideo Pro YouTube channel playlist.

CAUTION: Servicing the DR65A3000 with its high pressure refrigerant system and high voltage circuitry presents a health hazard which could result in death, serious bodily injury, and/or property damage. Service should only be performed by a qualified service technician.

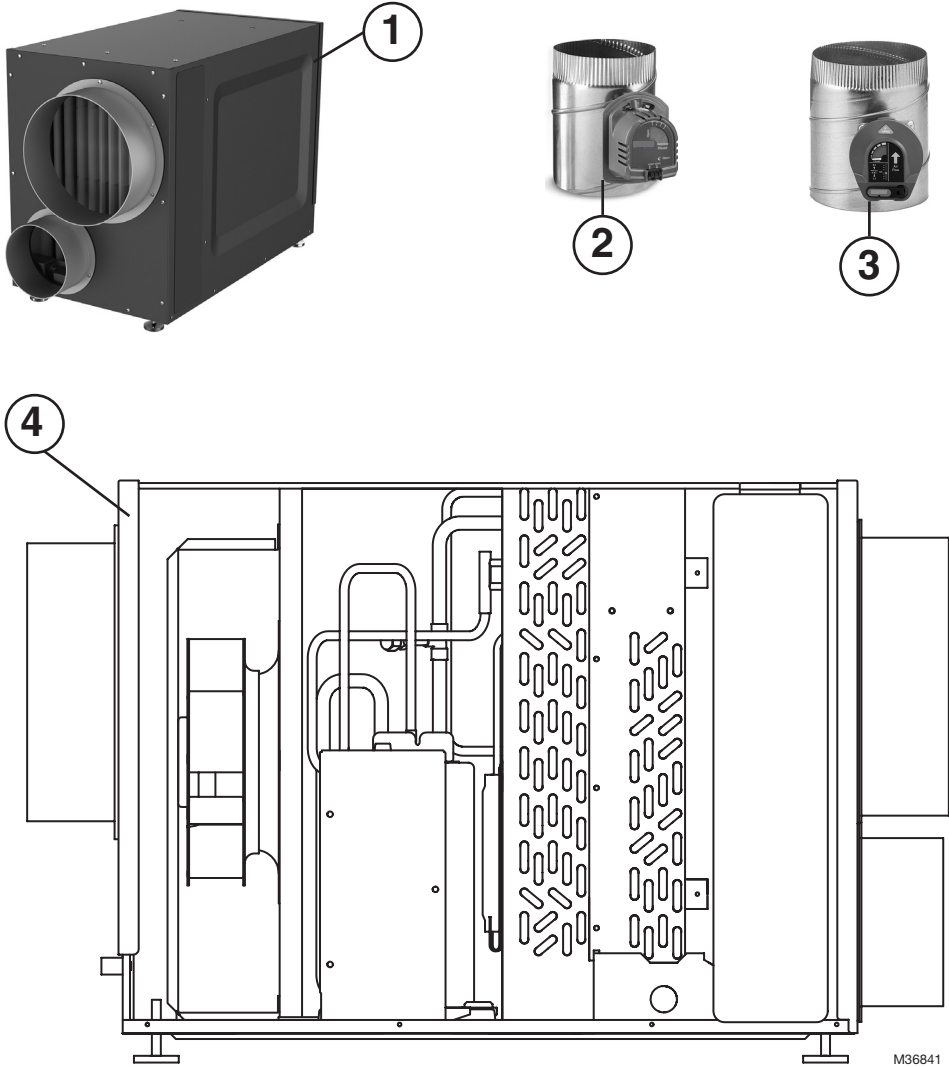
Problem	Recommended Troubleshooting Steps
No dehumidification. Neither fan nor compressor run and the ventilation timer is OFF.	<ol style="list-style-type: none"> 1. Unit unplugged or no power to outlet. 2. Humidity control set too high or defective. 3. Loose connection in internal or control wiring. 4. Defective compressor relay. 5. Defective control transformer. 6. Optional Condensate Pump Safety Switch open.
No dehumidification. Compressor does not run but fan runs when there is a call for dehumidification and the ventilation control is OFF.	<ol style="list-style-type: none"> 1. Defective compressor run capacitor. 2. Bad connection in compressor circuit. 3. Defective compressor overload. 4. Defective compressor. 5. Defrost thermostat open. 6. Optional Condensate Pump Safety Switch open.
Fan runs when there is a call for dehumidification and the ventilation control is OFF, but the compressor cycles on and off too frequently.	<ol style="list-style-type: none"> 1. Low ambient temperature and/or humidity causing unit to cycle through defrost mode. 2. Defective compressor overload. 3. Defective compressor. 4. Defrost thermostat defective. 5. Dirty air filter(s) or airflow restricted. 6. Low refrigerant charge, causing defrost control to cycle. 7. Bad connection in compressor circuit. Fan does not run with fan switch in either position.

Troubleshooting (continued)

Problem	Recommended Troubleshooting Steps
Fan does not run with ventilation activated. Compressor runs briefly but cycles on & off with humidity control turned to ON.	<ol style="list-style-type: none"> 1. Loose connection in fan circuit. 2. Obstruction prevents fan rotation. 3. Defective fan. 4. Defective fan relay. 5. Defective fan capacitor.
Evaporator coil frosted continuously, low de-humidifying capacity.	<ol style="list-style-type: none"> 1. Defrost thermostat loose or defective. 2. Low refrigerant charge. 3. Dirty air filter(s) or airflow restricted.
Unit not providing ventilation.	<ol style="list-style-type: none"> 1. Check control wire connections (check connections at fresh air damper also). 2. Defective fresh air damper. 3. Dirty air intake. Clean outside intake hood.
Unit removes some water, but not as much as expected.	<ol style="list-style-type: none"> 1. Air temperature and/or humidity have dropped. 2. Humidity meter and or thermometer used are out of calibration. 3. Unit has entered defrost cycle. 4. Dirty air filter. 5. Defective defrost thermostat. 6. Low refrigerant charge. 7. Air leak such as loose cover or ducting leaks. 8. Defective compressor. 9. Restrictive ducting. 10. Optional Condensate Pump Safety Switch open.
Unit Test to determine problem:	<ol style="list-style-type: none"> 1. Detach field control wiring connections from main unit. 2. Connect the R and FAN contacts from the main unit together; only the impeller fan should run. Disconnect the wires. 3. Connect the R and DHUM contacts from the main unit together; the compressor and impeller fan should run. 4. If these tests work, the main unit is working properly. You should check the control panel and field control wiring for problems next. 5. Remove the control panel from the mounting box and detach it from the field installed control wiring. Connect the blue, yellow, and green wires from the control panel directly to the corresponding colored pigtails on the main unit. Leave the violet, white, and red wires disconnected! 6. Turn on the humidity control. The compressor and impeller fan should run. 7. If these tests work, the problem is most likely in the field control wiring.

DR90 Parts List

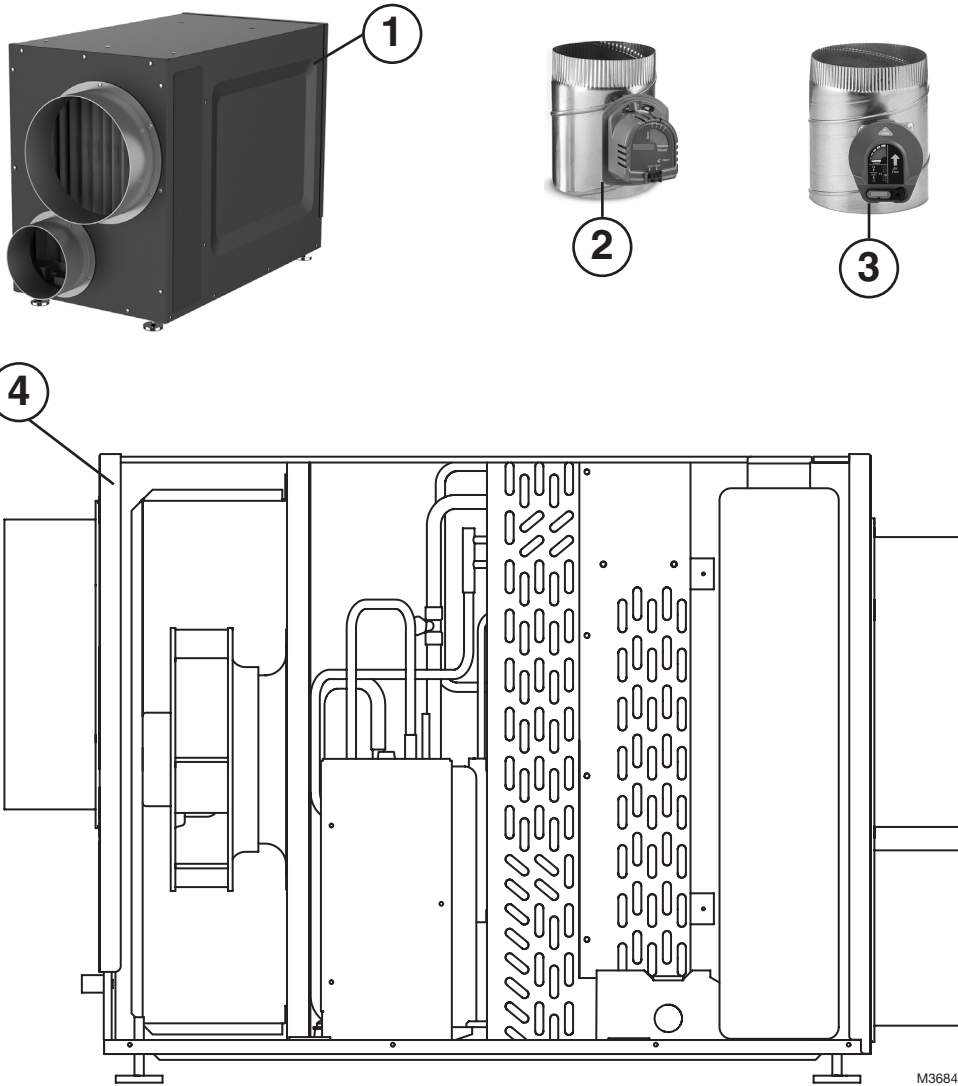
Figure Reference	Base and Accessory Parts	Part Number
1	Dehumidifier	DR90A3000/U
2	Motorized Ventilation Damper	EARD6TZ
3	Bypass Damper	CPRD8
4	Filter	50070171-002



For reference only.

DR120 Parts List

Figure Reference	Base and Accessory Parts	Part Number
1	Dehumidifier	DR120A3000/U
2	Motorized Ventilation Damper	EARD6TZ
3	Bypass Damper	CPRD8
4	Filter	50070171-002



For reference only.

5-Year Limited Warranty

Resideo warrants this product to be free from defects in workmanship or materials, under normal use and service, for a period of five (5) years from the date of first purchase by the original purchaser. If at any time during the warranty period the product is determined to be defective due to workmanship or materials, Resideo shall repair or replace it (at Resideo's option).

If the product is defective,

(i) return it, with a bill of sale or other dated proof of purchase, to the place from which you purchased it; or
(ii) call Resideo Customer Care at 1-800-468-1502. Customer Care will make the determination whether the product should be returned to the following address: Resideo Return Goods, 1985 Douglas Dr. N., Golden Valley, MN 55422, or whether a replacement product can be sent to you.

This warranty does not cover removal or reinstallation costs. This warranty shall not apply if it is shown by Resideo that the defect was caused by damage which occurred while the product was in the possession of a consumer.

Resideo's sole responsibility shall be to repair or replace the product within the terms stated above. RESIDEO SHALL NOT BE LIABLE FOR ANY LOSS OR DAMAGE OF ANY KIND, INCLUDING ANY INCIDENTAL OR CONSEQUENTIAL DAMAGES RESULTING, DIRECTLY OR INDIRECTLY, FROM ANY BREACH OF ANY WARRANTY, EXPRESS OR IMPLIED, OR ANY OTHER FAILURE OF THIS PRODUCT.

Some states do not allow the exclusion or limitation of incidental or consequential damages, so this limitation may not apply to you.

THIS WARRANTY IS THE ONLY EXPRESS WARRANTY RESIDEO MAKES ON THIS PRODUCT. THE DURATION OF ANY IMPLIED WARRANTIES, INCLUDING THE WARRANTIES OF MERCHANTABILITY AND FITNESS FOR A PARTICULAR PURPOSE, IS HEREBY LIMITED TO THE FIVE YEAR DURATION OF THIS WARRANTY. Some states do not allow limitations on how long an implied warranty lasts, so the above limitation may not apply to you.

This warranty gives you specific legal rights, and you may have other rights which vary from state to state. If you have any questions concerning this warranty, please write Resideo Customer Care, 1985 Douglas Dr, Golden Valley, MN 55422 or call 1-800-468-1502.



resideo

www.resideo.com

Resideo Technologies Inc.
1985 Douglas Drive North, Golden Valley, MN 55422
1-800-468-1502
33-00298EFS-07 M.S. Rev. 05-20 | Printed in United States

© 2020 Resideo Technologies, Inc. All rights reserved.

The Honeywell Home trademark is used under license from Honeywell International, Inc. This product is manufactured by Resideo Technologies, Inc. and its affiliates.

Tous droits réservés. La marque de commerce Honeywell Home est utilisée avec l'autorisation d'Honeywell International, Inc.

Ce produit est fabriqué par Resideo Technologies, Inc. et ses sociétés affiliées.

Todos los derechos reservados. La marca comercial Honeywell Home se utiliza bajo licencia de Honeywell International, Inc.

Este producto es fabricado por Resideo Technologies, Inc. y sus afiliados.

DR90/DR120A3000

À PROPOS DU NOUVEAU DÉSHUMIDIFICATEUR

À propos du déshumidificateur	
DR90/DR120A3000	2
Options de régulateurs	3
DR90 Spécifications	4
DR120 Spécifications	5

ENTRETIEN

Nettoyage	11
Description technique	12
Dépannage	12
Liste des pièces DR90	14
Liste des pièces DR120	15
Garantie limitée de 5 ans	16

INSTALLATION

Installation en fonction de l'application	6
Raccordement	7
Description des bornes	8
Câblage	8
Vérification	11

- Le modèle DR90A3000 est destiné à être installé à l'intérieur dans un lieu protégé de la pluie et des inondations.
- Installer l'unité en assurant le dégagement nécessaire pour l'accès au panneau pour la maintenance et l'entretien.
- Éviter de diriger l'air d'évacuation vers les personnes ou sur l'eau des piscines.
- Si le produit est utilisé près d'une piscine ou d'un spa, veiller à garantir que l'unité ne peut pas tomber dans l'eau ou être éclaboussée, et qu'elle est raccordée à un disjoncteur de fuite à la terre.
- Pour garantir un fonctionnement silencieux, ne pas placer l'unité directement sur les supports de structure du bâtiment.
- Un bac de récupération doit être placé sous l'unité si elle est installée au-dessus d'une zone habitée ou d'une zone où une fuite d'eau pourrait causer des dommages.



- 1. Ne jamais faire fonctionner l'appareil avec un cordon d'alimentation endommagé. Si le cordon d'alimentation est endommagé, il doit être remplacé par le fabricant, son agent du service, ou une personne qualifiée afin d'éviter les situations dangereuses.**
- 2. Cet appareil n'est pas conçu pour une utilisation par des personnes (incluant les enfants) ayant des capacités physiques, sensorielles ou mentales réduites, ou manquant d'expérience et de connaissance à moins d'avoir reçu la supervision ou les instructions concernant l'utilisation de l'appareil par une personne responsable de leur sécurité. Les enfants devraient être supervisés pour s'assurer qu'ils ne jouent pas avec l'appareil.**



BESOIN D'AIDE? Pour obtenir de l'aide sur ce produit, prière de visiter le site <http://customer.resideo.com> ou d'appeler le service d'assistance à la clientèle au 1-800-468-1502.

Lire et conserver ces instructions.

* Marque de commerce déposée aux États-Unis. Brevets en instance. Copyright © 2020 Resideo Technologies, Inc. Tous droits réservés.

À propos du déshumidificateur DR90/DR120A3000

Le DR90/DR120A3000 permet de maintenir les niveaux d'humidité adéquats dans toute la maison grâce à sa haute performance et son efficacité.

Avantages

- Retire jusqu'à 90 chopines (DR90) ou 120 chopines (DR120) d'eau par jour de l'air intérieur.
- Alimentation en air frais intégrée
- Certifié Energy Star
- Coupe-circuit du transformateur intégré



Maintien d'une humidité idéale

Les points de rosée et d'humidité relative (HR) affectent la manière dont le corps ressent la chaleur. Des niveaux d'humidité élevés causent une perception de chaleur accrue par rapport à la température réelle. Lorsqu'il est bien entretenu, l'équipement de refroidissement peut ne pas tourner autant car l'air déshumidifié semble plus frais.

L'humidité idéale est définie par les experts de l'industrie* comme se situant entre 40 et 60 % sur une base annuelle moyenne.

NOTRE PERCEPTION DE LA TEMPÉRATURE DE L'AIR

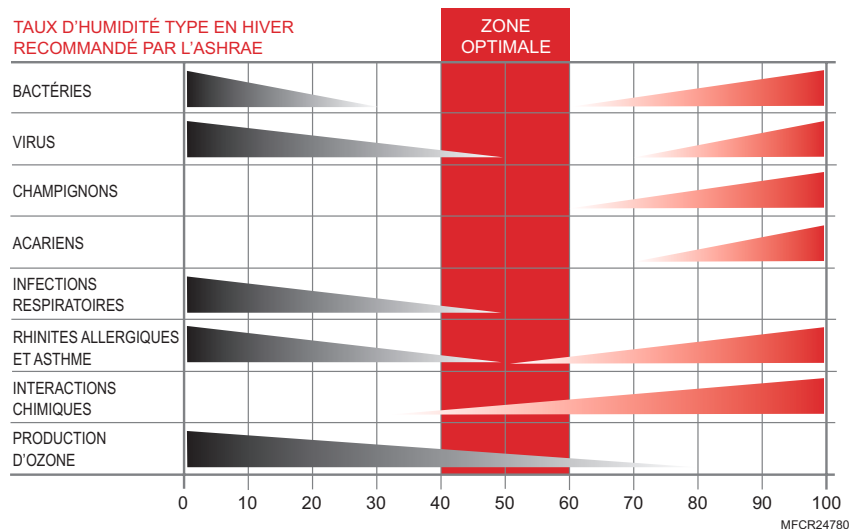
NOTRE PERCEPTION DE LA CHALEUR COMBINÉE À L'HUMIDITÉ
EXEMPLE : À 90 °F ET 50 % D'HUMIDITÉ RELATIVE, LA TEMPÉRATURE PERÇUE PAR NOTRE CORPS ATTEINT 96 °F!

		HUMIDITÉ RELATIVE (POURCENTAGE)																						
		0	5	10	15	20	25	30	35	40	45	50	55	60	65	70	75	80	85	90	95	100		
TEMPÉRATURE DE L'AIR (DEGRÉ FAHRENHEIT)	100	91	93	95	97	99	101	104	107	110	115	120	126	132	138	144								<div style="display: flex; flex-direction: column; align-items: flex-end;"> <div style="width: 15px; height: 15px; background-color: #800000; margin-bottom: 5px;"></div> DANGER EXTRÊME <div style="width: 15px; height: 15px; background-color: #FF4500; margin-bottom: 5px;"></div> DANGER <div style="width: 15px; height: 15px; background-color: #FFA07A; margin-bottom: 5px;"></div> PRUDENCE EXTRÊME <div style="width: 15px; height: 15px; background-color: #FF69B4; margin-bottom: 5px;"></div> PRUDENCE </div>
	95	87	88	90	91	93	94	96	98	101	104	107	110	114	118	124	130	136						
	90	83	84	85	86	87	88	90	91	93	95	96	98	100	102	106	109	113	117	122				
	85	78	79	80	81	82	83	84	85	86	87	88	89	90	91	93	95	97	99	102	105	108		
	80	73	74	75	76	77	77	78	79	79	80	81	81	82	83	85	86	86	87	88	89	91		
	75	69	69	70	71	72	72	73	73	74	74	75	75	76	76	77	77	78	78	79	79	80		
	70	64	64	65	65	66	66	67	67	68	68	69	69	70	70	70	71	71	71	71	71	71	72	

SOURCE : INDICE DE TEMPÉRATURE-HUMIDITÉ DÉRIVÉ PAR R.G. STEADMAN, JOURNAL OF APPLIED METEOROLOGY, JUILLET 1979. MF27328

Lorsque l'humidité intérieure dépasse 60 %, l'habitation est plus susceptible à la moisissure. L'unité DR90/DR120A3000 protège de l'humidité excessive dans la maison tout au long de l'année.

* Société américaine des ingénieurs en chauffage, refroidissement et climatisation (ASHRAE).



Options de régulateurs

Le DR90/DR120A3000 peut être utilisé avec l'un des régulateurs externes suivants :



Thermostat intelligent T10 Pro

- Règle à la fois le chauffage-refroidissement et la ventilation.
- Programmation de la ventilation selon l'heure du jour ou les normes Ashrae.
- Verrouillages de ventilation en option pour température ou taux d'humidité bas/élevés selon la météo sur Internet lorsque vous êtes inscrit dans l'application.

Système de thermostat Prestige™ IAQ



- Règle à la fois le chauffage-refroidissement et la ventilation.
- Capteur sans fil pour l'affichage de la température et du taux d'humidité extérieurs.
- Programme de ventilation évolué qui comprend un cycle économiseur et l'interruption en cas de conditions extrêmes.
- Rappels de maintenance et de réparation.
- Écran couleur haute définition.
- Technologie sans fil RedLINK™

Thermostat VisionPRO™ Smart ou VisionPRO™ RedLINK



- Technologie sans fil Wi-Fi™ (TH8321WF1001) ou RedLINK™ (TH8321R1001)
- Commande le chauffage, la climatisation et la ventilation.
- Affiche la température extérieure et l'humidité.
- Programmation de la ventilation selon l'heure de la journée ou les normes Ashrae.
- Verrouillage de la ventilation en option pour température basse/élevée ou conditions d'humidité. Détecteur extérieur sans fil C7089R1013 pour modèle RedLINK. Température Internet pour modèle Smart.



Régulateur d'humidité numérique HumidiPRO

- Commande de déshumidification manuelle
- Protection du compresseur du déshumidificateur
- Calibration de la température extérieure et du % HR
- Butées de plage haute et basse réglables (10 à 90 %)



Système de confort total VisionPRO et VisionPRO IAQ

- Règle à la fois le chauffage-refroidissement et la ventilation.
- Capteur inclus pour l'affichage de la température extérieure.
- Interface utilisateur intuitive pour la programmation simple de la température sur sept jours.
- Grand écran rétroéclairé, facilement lisible.
- Rappels de maintenance et de réparation.
- Peut aussi servir à commander d'autres appareils de régulation de la qualité de l'air ambiant.



Déshumidistat manuel et régulateur de ventilateur automatique

- Régulation manuelle de l'humidité selon des points de consigne intuitifs.
- Régulateur W8150 assurant la régulation automatique de la ventilation conformément à la norme ASHRAE ou fonctionnant en continu.

DR90 Spécifications

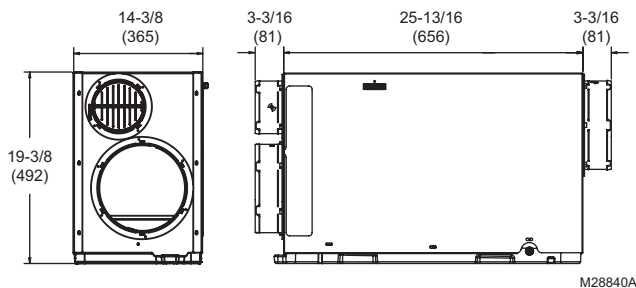
Installer le DR90A3000 conformément au code électrique local en vigueur.

Temp. de bulbe sec	Humidité de l'air d'admission	Capacité (chopines par jour)
80°F (26,7 °C)	60 % RH	90
70°F (21,1 °C)	60 % RH	65
60°F (15,6 °C)	60 % RH	47

Dimensions de l'habitation (pieds [m] carrés)	Capacité requise du déshumidificateur pour maintenir l'HR intérieure désirée*		
	60% d'HR intérieure (chopines/jour)	50% d'HR intérieure (chopines/jour)	40% d'HR intérieure (chopines/jour)
2080 (193,2)	49-54	55-58	71-78
2600 (241,5)	61-68	65-72	90-97
3120 (289,9)	75-82	79-86	95-110

* Basée sur des climats extrêmes avec une humidité relative extérieure de 70-90 %. Pour les climats moins extrêmes, une capacité moindre peut servir des habitations plus grandes. Les exigences réelles peuvent varier.

Dimensions en pouces et (mm) :



Poids du produit : 86 livres (39 kg)

Poids d'expédition : 95 livres (41,3 kg)

Dimensions d'expédition : 25,2 po H × 19,3 po W × 35,8 po L

Filtre à fibres : MERV 11, 14 po H × 17,5 po W × 1,75 po L

Raccord d'évacuation : Raccord NPT femelle fileté de 3/4 po

Raccords de conduit : Entrée et sortie rondes de 10 po.
Entrée de 6 po. Plastique ABS compatible pour un raccordement à des conduits rigides ou flexibles avec vis à tôle et/ou ruban adhésif.

Armoire : Acier galvanisé calibre 20 à revêtement de peinture par pulvérisation.

Isolation : R valeur 1

Compresseur : rotatif, 7,3 KBtu

Fluide frigorigène : R-410A, 25 oz

Plage de température de fonctionnement (armoire externe) : 34 °F à 135 °F (1,1 °C à 57,2 °C)

Plage d'humidité de fonctionnement : 0-99 % d'HR

Rapport débit d'air-pression statique externe (pression d'eau 0-1 po [0 à 25,4 mm]) avec collets attachés

Pression d'eau (po)	Pression d'eau (mm)	Capacité (CFM)	Capacité (pi³/min)
0	0	320	320
0,2	5	280	280
0,4	10	260	260
0,6	15,2	215	215

Caractéristiques d'entrée

- **Tension d'entrée électrique :** 120 V c.a., 60 Hz nominaux
- **Courant d'entrée :** 5,3 A

Caractéristiques de sortie

- **Transformateur de puissance aux bornes R/C :** 24 V c.a., 0,85 A
- **Performance énergétique :** 2,9 litres (6,1 chopines) par kilowattheure (KWH)

Normes et exigences réglementaires

- ETL Listé par UL 474 et CSA C22.2 No 92
- Certifié ENERGY STAR.

DR120 Spécifications

Installer le DR120A3000 conformément au code électrique local en vigueur.

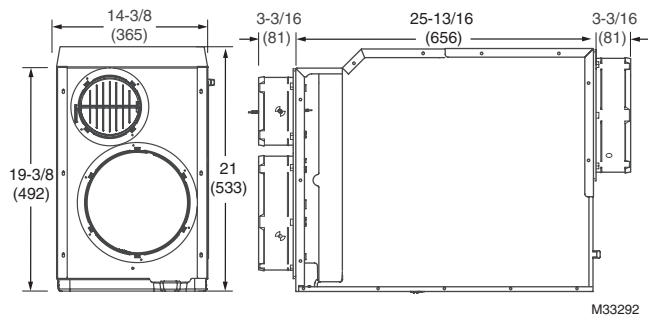
Temp. de bulbe sec	Humidité de l'air d'admission	Capacité (chopines par jour)
80°F (26,7°C)	60% RH*	120
70°F (21,1°C)	60% RH	88
60°F (15,6°C)	60% RH	63

* RH = HUMIDITÉ RELATIVE

Dimensions de l'habitation (pieds [m] carrés)	Capacité requise du déshumidificateur pour maintenir l'HR intérieure désirée*		
	60% d'HR intérieure (chopines/jour)	50% d'HR intérieure (chopines/jour)	40% d'HR intérieure (chopines/jour)
2080 (193,2)	49-54	55-58	71-78
2600 (241,5)	61-68	65-72	90-97
3120 (289,9)	75-82	79-86	95-110

* Basée sur des climats extrêmes avec une humidité relative extérieure de 70-90 %. Pour les climats moins extrêmes, une capacité moindre peut servir des habitations plus grandes. Les exigences réelles peuvent varier.

Dimensions en pouces et (mm) :



Poids du produit : 95 livres (43,1 kg)

Poids d'expédition : 104 livres (47,2 kg)

Dimensions d'expédition : 26 po H × 19,3 po W × 35,8 po L

Filtre à fibres : MERV 11, 14 po H × 17,54 po W × 1,75 po L

Raccord d'évacuation : Raccord NPT femelle fileté de 3/4 po avec raccord mâle de 3/4 po attaché.

Raccords de conduit : Entrée et sortie rondes de 10 po. Entrée de 6 po. Plastique ABS compatible pour un raccordement à des conduits rigides ou flexibles avec vis à tôle et/ou ruban adhésif.

Armoire : Acier galvanisé calibre 20 à revêtement de peinture par pulvérisation.

Isolation : R valeur 1

Compresseur : rotatif, 9,4 KBtu

Fluide frigorigène : R-410A, 30 oz

Plage de température de fonctionnement

(armoire externe) : 34 °F à 135 °F (1,1 °C à 57,2 °C)

Plage d'humidité de fonctionnement : 0-99 % d'HR

Rapport débit d'air-pression statique externe (pression d'eau 0-1 po [0 à 25,4 mm]) avec collets attachés

0 po (0 mm)	400 CFM (pi ³ /min)
0,2 po (5 mm)	345 CFM (pi ³ /min)
0,4 po (10 mm)	295 CFM (pi ³ /min)
0,6 po (15,2 mm)	250 CFM (pi ³ /min)

Caractéristiques d'entrée

- **Tension d'entrée électrique :** 120 V c.a., 60 Hz nominaux
- **Courant d'entrée :** 7,3 A

Caractéristiques de sortie

- **Transformateur de puissance aux bornes R/C :** 24 V c.a., 0,85 A
- **Performance énergétique :** 2,9 litres (6,1 chopines) par kilowattheure (KWH)

Normes et exigences réglementaires

- ETL Listé par UL 474 et CSA C22.2 No 92
- Certifié ENERGY STAR.

Installation en fonction de l'application

Le conduit flexible est recommandé pour la connexion aux collets DR90/DR120A3000 pour réduire le bruit dû aux vibrations.



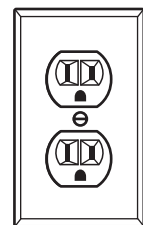
Taille de conduit : Utiliser un diamètre rond de 10 po de diamètre minimum pour des longueurs de conduit allant jusqu'à 7,6 m (25 pi). 12 po minimum sont requis pour des longueurs supérieures à 7,6 m (25 pi). Les conduits secondaires partant de l'arrivée principale/l'échappement principal doivent être de 10 po ronds minimum pour 2-3 canalisations secondaires, et de 12 po ronds ou plus pour 4 canalisations secondaires ou plus.

Pour l'orifice du ventilateur d'air frais en option, utiliser un conduit isolé rond pour des longueurs jusqu'à 15,2 m (50 pi). Utiliser un conduit rond de 8 po pour des longueurs de 15,2 m (50 pi) ou plus, ou si plus de 100 pi³/m sont requis.

Zones isolées : Une déshumidification efficace peut nécessiter un acheminement de conduits vers une zone isolée ou à débit d'air stagnant.

Exigences électriques :

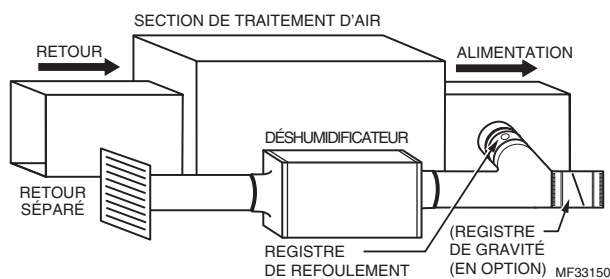
Sortie 115 V c.a. Disjoncteur de fuite à la terre recommandé.



M24745



Retour dédié vers alimentation principale

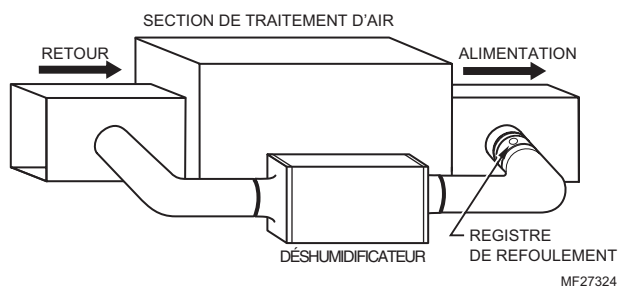


Idéal dans les cas suivants...

- L'accès à un retour central pour le déshumidificateur est disponible.
- Combiné avec un système de climatisation, exige un clapet antirefoulement à l'échappement afin de réduire le refoulement lorsque le déshumidificateur n'est pas en marche, mais que le système de climatisation l'est.
- Clapet antirefoulement du conduit de l'humidificateur ouvert à 20 % pour fournir de l'air sec à un endroit particulier (facultatif).



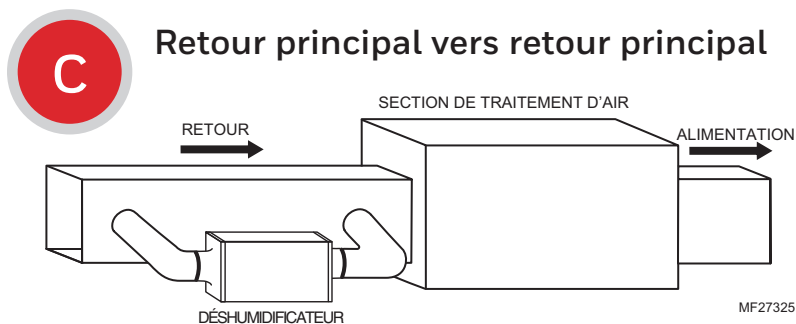
Retour principal vers alimentation principale



Idéal dans les cas suivants...

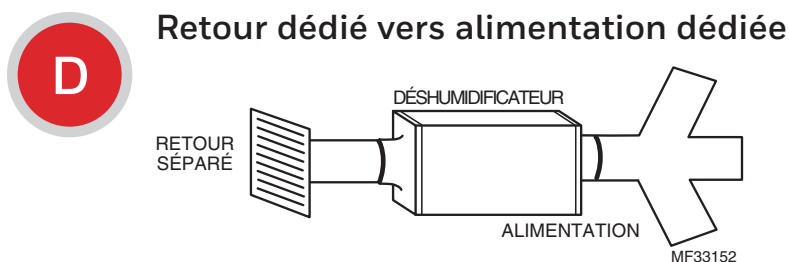
- Faire fonctionner le déshumidificateur lorsque la climatisation n'est pas en marche.
- L'orifice d'évacuation doit être doté d'un clapet antirefoulement afin de réduire le refoulement lorsque le modèle DR90/DR120A3000 n'est pas en marche, mais que le système de climatisation l'est.
- L'accès à un retour central pour le déshumidificateur est impossible.
- Pour des résultats optimaux, le ventilateur du système doit fonctionner lorsque le déshumidificateur est en fonction.

Installation en fonction de l'application (suite)



Idéal dans les cas suivants...

- Fonctionnement du DR90/120A3000 avec la climatisation.
- Il est recommandé de minimiser l'augmentation de la température de l'air de soufflage.
- L'accès à un retour dédié n'est pas possible.



Idéal dans les cas suivants...

- Le déshumidificateur ne sera pas relié à un système CVCA à air pulsé.

Raccordement



Attacher la buse de vidange 3/4 po NPT mâle.

Brancher un tube de vidange de 1/2 po à la sortie de vidange de connexion mâle.

Attacher un tube de vidange au connecteur avec un collier de serrage.

Acheminer la conduite de vidange en aval de façon continue vers une pompe de vidange ou de récupération des eaux condensées.

La conduite de vidange doit comprendre un séparateur d'eau pour empêcher à l'air d'entrer ou de sortir du déshumidificateur.

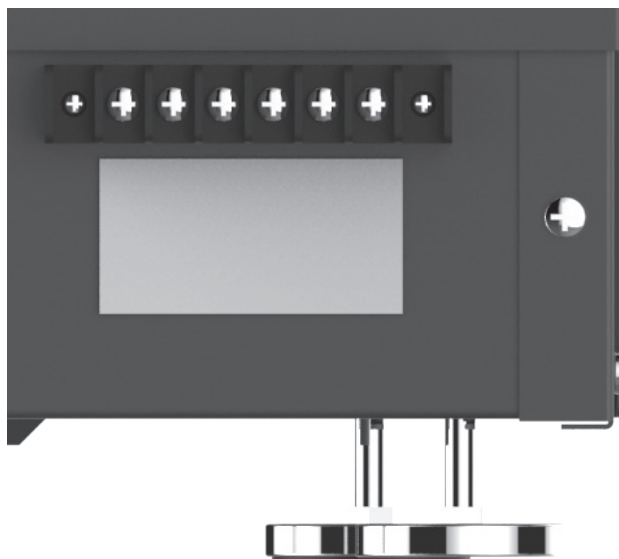
Description des bornes



MISE EN GARDE : Risque de basse tension.

Peut endommager l'équipement.

Débrancher l'équipement de CVCA avant de commencer l'installation.



REMARQUE : Les vis externes sur le bloc de connexion fixent le bloc au châssis. Elles ne sont pas destinées au câblage.

Une borne pour fils électriques est située sur le panneau latéral du déshumidificateur.

Les six bornes pour le bloc de connexion (de gauche à droite sur l'illustration) sont :

FLOAT: Flotteur ou capteur d'eau basse tension externe (deux bornes). Utiliser le contacteur normalement fermé.

DHUM: Fonctionnement du compresseur et du ventilateur pour la déshumidification

R: Sortie de 24 V pour le DR90/DR120

FAN: Activation du ventilateur uniquement pour la ventilation

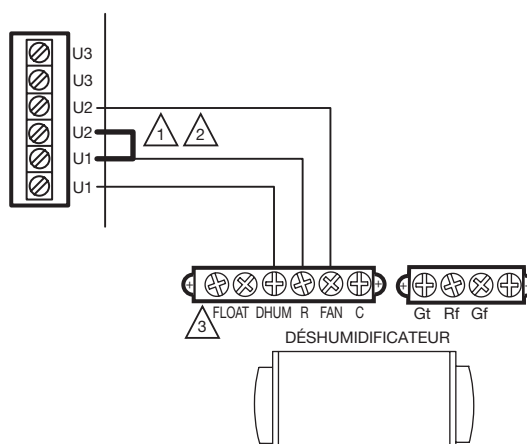
C: Sortie de 24 V pour le DR90/DR120

Des appareils de 24 V externes peuvent être alimentés avec les bornes R et C (20 VA max.).

Câblage

Câbler le DR90/DR120A3000 conformément au schéma s'appliquant au fonctionnement désiré.

Respecter ce schéma si un thermostat Prestige™ est utilisé.



1 DANS CE SCHÉMA, LA BORNE U1 COMMANDE LE DÉSHUMIDIFICATEUR DR90/DR120 POUR LA DÉSHUMIDIFICATION ET LA BORNE U2 COMMANDE LE DR90/DR120 POUR LA VENTILATION.

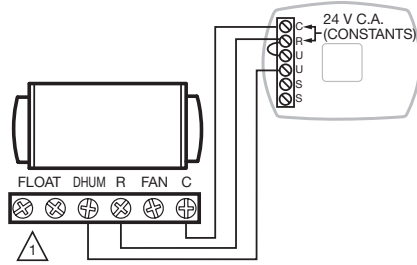
2 PLACEZ UN CAVALIER SUR LE MODULE D'INTERFACE D'ÉQUIPEMENT, COMME MONTRÉ, UNIQUEMENT LORSQUE VOUS UTILISEZ LE DR90/DR120 POUR LA VENTILATION ET LA DÉSHUMIDIFICATION.

3 SI UN CONTACTEUR À FLOTTEUR N'EST PAS UTILISÉ, AJOUTER UN FUSIBLE AUX BORNES DU FLOTTEUR.

MF38418

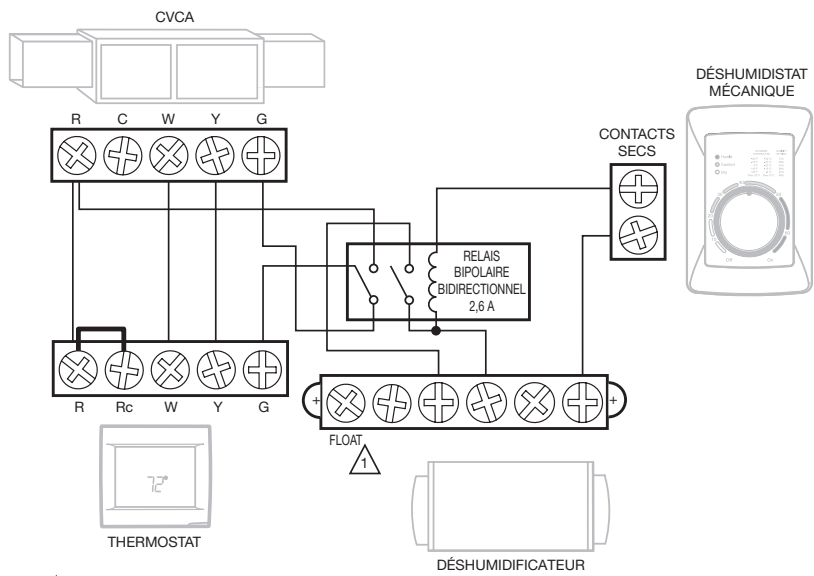
Câblage (suite)

RESPECTER LE SCHÉMA SI VOUS UTILISEZ LE RÉGULATEUR D'HUMIDITÉ NUMÉRIQUE HUMIDIPRO.



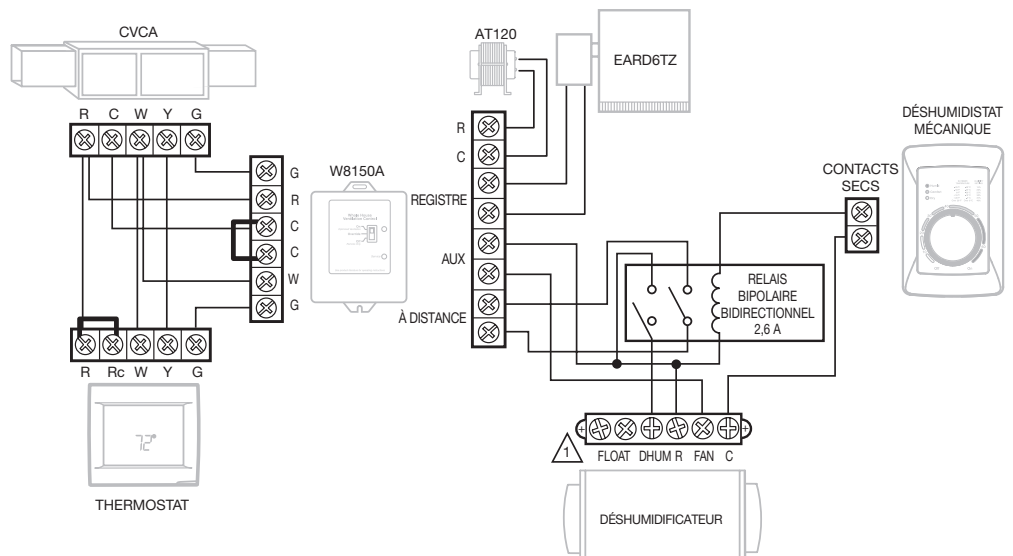
⚠️ SI UN CONTACTEUR À FLOTTEUR N'EST PAS UTILISÉ, AJOUTER UN FUSIBLE AUX BORNES DU FLOTTEUR.
MF37492A

RESPECTER LE SCHÉMA POUR LE FONCTIONNEMENT AVEC CONDUIT AVEC RÉGULATEUR D'HUMIDITÉ EXTERNE.



⚠️ SI UN CONTACTEUR À FLOTTEUR N'EST PAS UTILISÉ, AJOUTER UN FUSIBLE AUX BORNES DU FLOTTEUR.
MF36854

RESPECTER LE SCHÉMA POUR LE FONCTIONNEMENT AVEC CONDUIT AVEC RÉGULATEUR D'HUMIDITÉ ET DE VENTILATION EXTERNE.

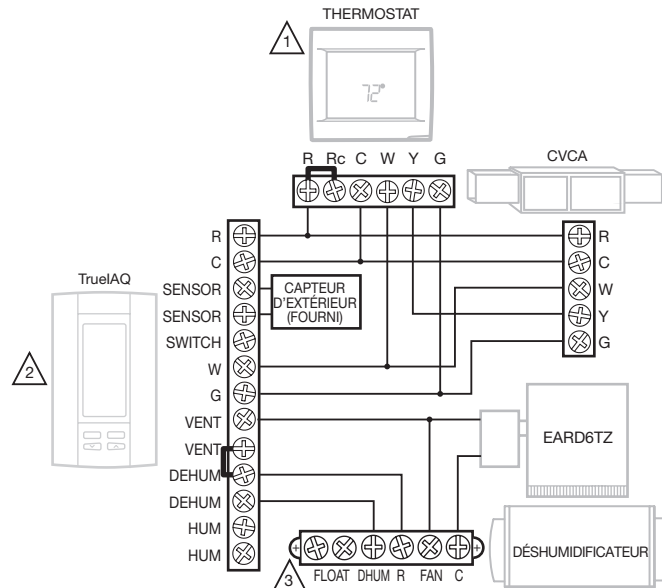


⚠️ SI UN CONTACTEUR À FLOTTEUR N'EST PAS UTILISÉ, AJOUTER UN FUSIBLE AUX BORNES DU FLOTTEUR.

MF36855

Câblage (suite)

Respecter ce schéma si le DR90/DR120A3000 est utilisé avec un déshumidistat électrique tel que le TruelAQ (DG115EZIQ).



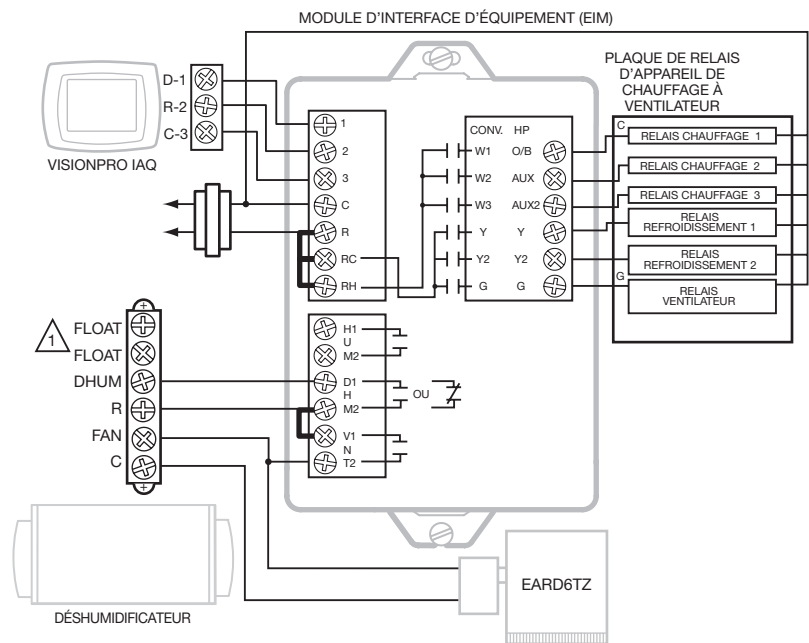
1 SI UN THERMOSTAT AUTRE QU'UN TH5110, TH5220, TH5320, TH6110, TH6220, TH6320, TH8110, TH8320 OU TH8321 EST UTILISÉ, UN RELAIS PEUT ÊTRE REQUIS POUR ISOLER LE FIL G.

2 LE RÉGLAGE ISU 60 À Ø FORCE LE VENTILATEUR DU SYSTÈME SANS APPEL DE DÉSHUMIDIFICATION.

3 SI UN CONTACTEUR À FLOTTEUR N'EST PAS UTILISÉ, AJOUTER UN FUSIBLE AUX BORNES DU FLOTTEUR.

MF36856

Respecter le schéma si le DR90/DR120A3000 est utilisé avec un VisionPRO IAQ.



1 SI UN CONTACTEUR À FLOTTEUR N'EST PAS UTILISÉ, AJOUTER UN FUSIBLE AUX BORNES DU FLOTTEUR.

MF36857

Vérification

Mettre le DR90/DR120A3000 sous tension. Mettre la commande d'humidité à un pourcentage d'HR faible pour lancer l'appel de déshumidification. Confirmer que le compresseur et le ventilateur du DR90/DR120A3000 sont en marche. La soufflante de l'appareil de chauffage tourne aussi pour faire circuler l'air. Ceci prend jusqu'à deux minutes. S'assurer à tourner la commande sur le pourcentage d'HR désiré ou sur Arrêt une fois la vérification effectuée.

Si le dispositif est utilisé pour la ventilation, lancer un appel de ventilation. Confirmer que le ventilateur DR90/DR120A3000 est allumé mais que le compresseur reste éteint.

Nettoyage

Effectuez les mesures d'entretien suivantes chaque année pour assurer le fonctionnement optimal du déshumidificateur.

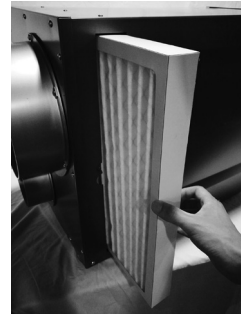
1

Débrancher le DR90/DR120A3000 avant de commencer l'entretien. Retirer la trappe du filtre magnétique.



2

Retirer le filtre et le remplacer par un neuf



3

Vérifier le raccordement de la vidange et du tuyau de vidange pour s'assurer qu'il n'y a pas de débris et de saletés. S'assurer que tous les raccords de conduite sont bien serrés une fois l'entretien des lignes de vidange terminé.

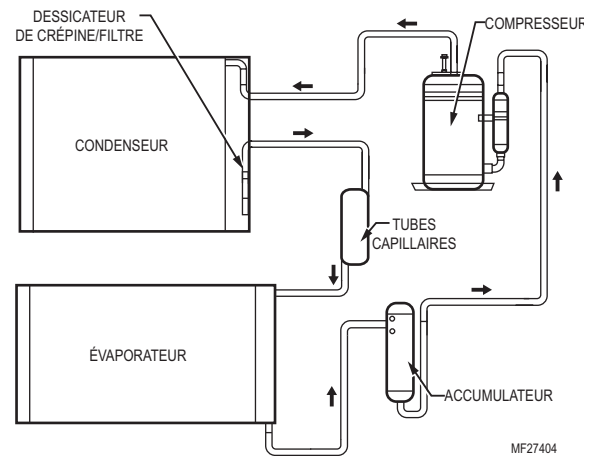


4

Une fois l'entretien terminé, lancer un appel de déshumidification et vérifier que le compresseur et le ventilateur se mettent en marche. Si un régulateur VisionPRO IAQ ou TruelAQ est utilisé, réinitialiser les rappels pour l'entretien.

Description technique

Le DR90/DR120A3000 utilise un système de réfrigération similaire à celui d'un climatiseur pour retirer la chaleur et l'humidité de l'air d'arrivée et ajouter de la chaleur à l'air soufflé. Le gaz frigorigène haute pression chaud est acheminé du compresseur vers le serpentin. Le fluide frigorigène est refroidi et condensé en dégageant sa chaleur dans l'air qui est prêt à être soufflé de l'unité. Le fluide frigorigène passe ensuite par un déshydratateur-filtre et un tube capillaire, ce qui provoque la chute de la température et de la pression du fluide frigorigène. Il pénètre ensuite dans le serpentin évaporateur où il absorbe la chaleur de l'air d'arrivée et s'évapore. L'évaporateur fonctionne en condition immergée (noyé), ce qui signifie que tous les tubes de l'évaporateur contiennent du fluide frigorigène lors du fonctionnement normal. Un évaporateur noyé doit maintenir une pression et une température quasiment constantes sur tout le serpentin, de l'entrée à la sortie.



Dépannage

Des vidéos de dépannage sont disponibles dans la liste de lecture du canal YouTube Resideo Pro.



MISE EN GARDE : L'entretien du DR65A3000 avec son système frigorigène haute pression et son circuit haute tension présente des dangers pouvant entraîner des blessures graves ou mortelles et des dommages matériels. L'entretien doit être effectué que par un technicien d'entretien qualifié.

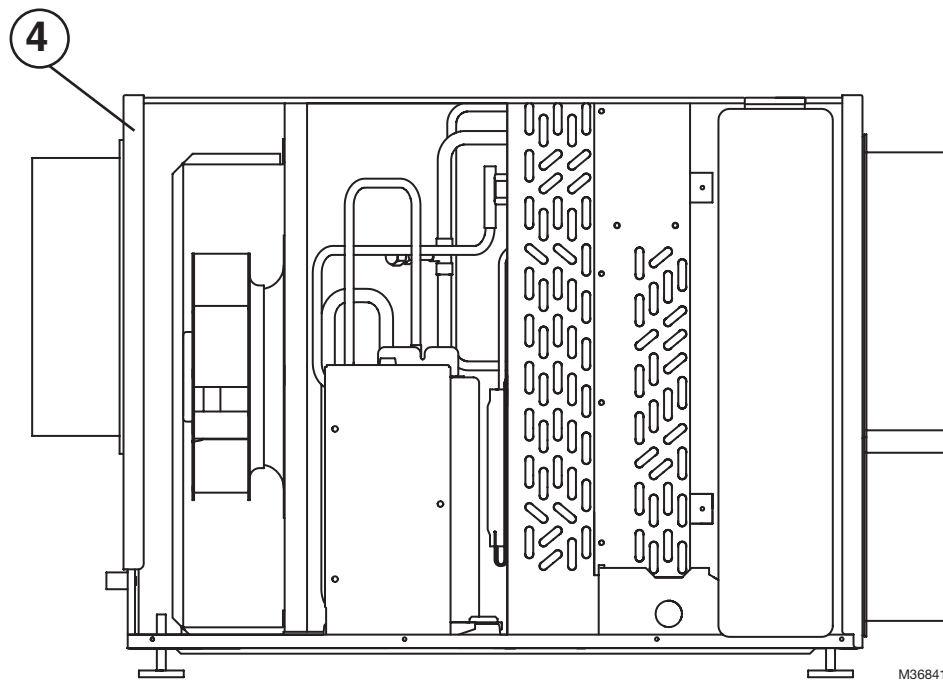
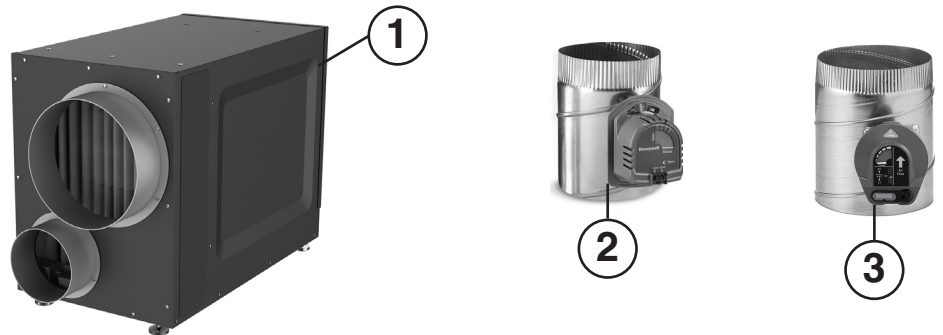
Problème	Étapes de dépannage recommandées
Pas de déshumidification. Le ventilateur ni le compresseur ne tournent et le minuteur de ventilation est sur Arrêt.	<ol style="list-style-type: none"> 1. Unité débranchée ou pas d'alimentation à l'arrivée. 2. Commande d'humidité réglée trop haut ou défectueuse. 3. Raccord desserré dans le câblage de la commande ou le câblage interne. 4. Relais de compresseur défectueux. 5. Transformateur de commande défectueux. 6. Contacteur de sécurité de pompe de condensation en option ouvert.
Pas de déshumidification. Le compresseur ne tourne pas mais le ventilateur tourne lorsqu'il y a un appel de déshumidification et la commande du ventilateur est sur Arrêt.	<ol style="list-style-type: none"> 1. Condensateur du compresseur défectueux. 2. Mauvais raccord dans le circuit du compresseur. 3. Surcharge du compresseur. 4. Compresseur défectueux. 5. Thermostat de dégivrage ouvert. 6. Contacteur de sécurité de pompe de condensation en option ouvert.
Le ventilateur tourne lorsqu'il y a un appel à la déshumidification et la commande de ventilation est sur Arrêt, mais le compresseur s'arrête et se met en marche trop fréquemment.	<ol style="list-style-type: none"> 1. Température et/ou humidité ambiantes faibles, mettant l'unité en mode de dégivrage. 2. Surcharge du compresseur. 3. Compresseur défectueux. 4. Thermostat de dégivrage défectueux. 5. Filtre(s) à air sale(s) ou débit d'air obstrué. 6. Faible charge de fluide frigorigène, causant l'activation de la commande de dégivrage. 7. Mauvais raccord dans le circuit du compresseur. Le ventilateur ne fonctionne pas avec la commande du ventilateur dans n'importe quelle position.

Dépannage (suite)

Problème	Étapes de dépannage recommandées
Le ventilateur ne tourne pas avec la ventilation activée. Le compresseur tourne brièvement mais passe sur Marche et Arrêt avec la commande d'humidité sur Marche.	<ol style="list-style-type: none"> 1. Raccord desserré dans le circuit du ventilateur. 2. Une obstruction empêche le ventilateur de tourner. 3. Ventilateur défectueux. 4. Relais de ventilateur défectueux. 5. Condensateur de ventilateur défectueux.
Le serpentin évaporateur gèle en continu, faible capacité de déshumidification.	<ol style="list-style-type: none"> 1. Thermostat de dégivrage desserré ou défectueux. 2. Faible charge de fluide frigorigène. 3. Filtre(s) à air sale(s) ou débit d'air obstrué.
L'unité ne fournit pas de ventilation.	<ol style="list-style-type: none"> 1. Vérifier les connexions des fils de commande (vérifier les connexions sur le registre d'air frais également). 2. Registre d'air frais défectueux. 3. Admission d'air défectueuse. Nettoyer le capot d'admission extérieur.
L'unité élimine de l'eau, mais pas autant que prévu.	<ol style="list-style-type: none"> 1. Chute de la température et/ou de l'humidité de l'air. 2. Hygromètre ou thermomètre utilisés mal étalonnés. 3. L'unité est en mode de dégivrage. 4. Filtre à air sale. 5. Thermostat de dégivrage défectueux. 6. Faible charge de fluide frigorigène. 7. Fuite d'air, telle que couvercle desserré ou fuite au niveau des conduits. 8. Compresseur défectueux. 9. Conduit obstrué. 10. Contacteur de sécurité de pompe de condensation en option ouvert.
Test de l'unité pour déterminer le problème :	<ol style="list-style-type: none"> 1. Détacher les raccords de câblage de commande sur site de l'unité principale. 2. Brancher les contacteurs R et FAN (ventilateur) de l'unité principale ensemble; seul le ventilateur de turbine doit tourner. Débrancher les fils. 3. Brancher les contacteurs R et DHUM de l'unité principale ensemble; le ventilateur de compresseur et de turbine doit tourner. 4. Si ces tests fonctionnent, l'unité principale fonctionne correctement. Vérifier ensuite le panneau de commande et le câblage de commande sur site. 5. Retirer le panneau de commande de la boîte de montage et le détacher du câblage de commande installé sur site. Brancher les fils bleu, jaune et vert du panneau de commande directement sur les queues de cochon colorées correspondantes de l'unité principale. Ne pas brancher les fils violet, blanc et rouge! 6. Mettre la commande d'humidité sur marche. Le ventilateur du compresseur et de la turbine doit tourner. 7. Si ces tests fonctionnent, le problème se trouve probablement au niveau du câblage de commande sur site.

Liste des pièces DR90

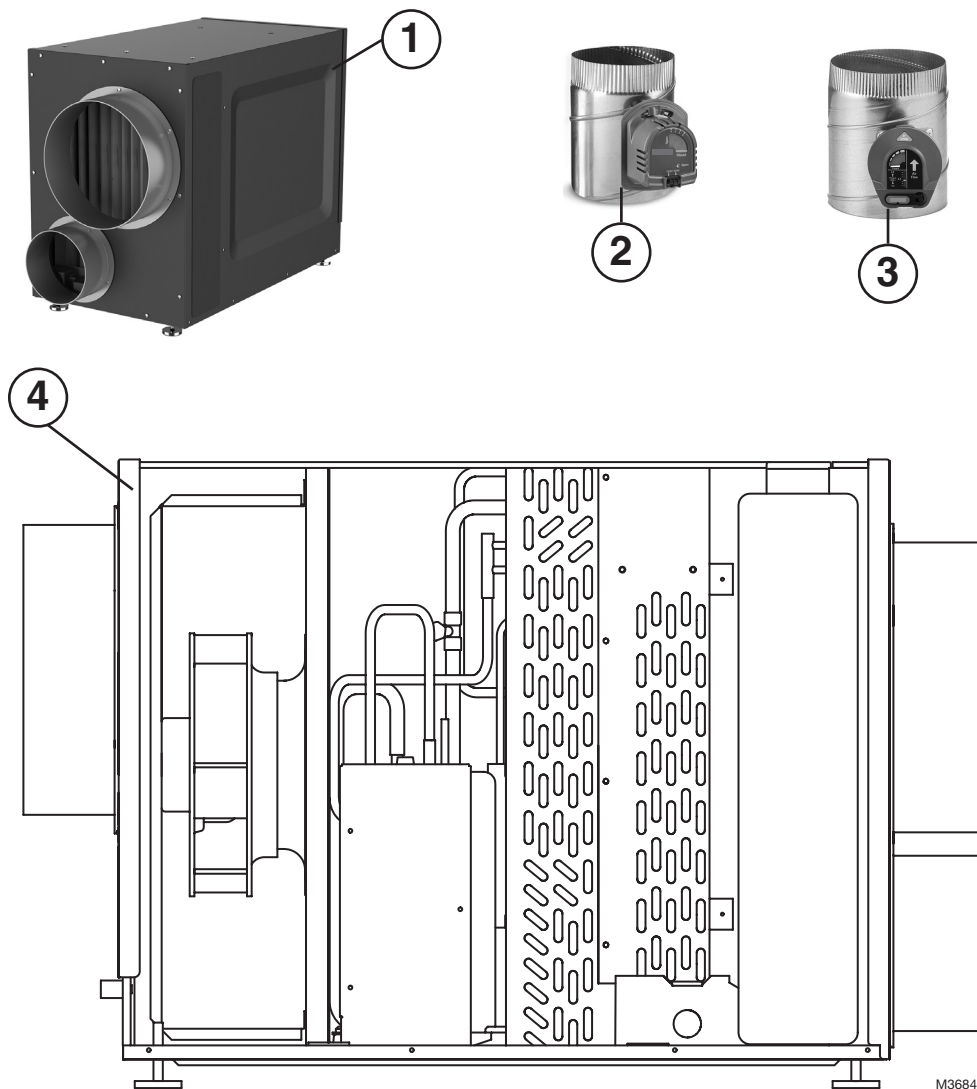
Référence à la figure	Pièces de base et accessoires	Référence
1	Déshumidificateur	DR90A3000/U
2	Registre de ventilation motorisé	EARD6TZ
3	Registre de dérivation	CPRD8
4	Filtre	50070171-002



Pour référence seulement.

Liste des pièces DR120

Référence à la figure	Pièces de base et accessoires	Référence
1	Déshumidificateur	DR120A3000/U
2	Registre de ventilation motorisé	EARD6TZ
3	Registre de dérivation	CPRD8
4	Filtre	50070171-002



Pour référence seulement.

Garantie limitée de 5 ans

Resideo garantit ce produit contre tout défaut de pièce ou de main-d'oeuvre, durant une période pour cinq (5) ans à partir de la date d'achat par le consommateur d'origine si le produit est utilisé et entretenu convenablement. En cas de défaillance ou de mauvais fonctionnement pendant la période de garantie, Resideo remplacera ou réparera le produit, à sa discrétion.

Si le produit est défectueux

(i) renvoyez-le avec la facture ou une autre preuve d'achat date au lieu d'achat; ou

(ii) appelez le service à la clientèle de Resideo en composant le 1-800-468-1502. Le service à la clientèle déterminera si le produit doit être retourné à l'adresse suivante : Resideo Return Goods, 1985 Douglas Dr. N., Golden Valley, MN 55422, ou si un produit de remplacement peut vous être expédié.

La présente garantie ne couvre pas les frais de retrait ou de réinstallation. La présente garantie ne s'applique pas s'il est démontré par Resideo que la défaillance ou le mauvais fonctionnement sont dus à un endommagement du produit alors que le consommateur l'avait en sa possession.

La responsabilité exclusive de Resideo se limite à réparer ou à remplacer le produit conformément aux modalités susmentionnées. RESIDEO N'EST EN AUCUN CAS RESPONSABLE DES PERTES OU DOMMAGES, Y COMPRIS LES DOMMAGES INDIRECTS OU ACCESSOIRES DÉCOULANT DIRECTEMENT OU INDIRECTEMENT D'UNE VIOLATION QUELCONQUE D'UNE GARANTIE, EXPRESSE OU TACITE, APPLICABLE AU PRÉSENT PRODUIT, OU TOUTE AUTRE DÉFAILLANCE DU PRÉSENT PRODUIT. Certaines provinces ne permettent pas l'exclusion ou la restriction des dommages indirects ou accessoires et, par conséquent, la présente restriction peut ne pas s'appliquer.

CETTE GARANTIE EST LA SEULE GARANTIE EXPRESSE FAITE PAR RESIDEO POUR CE PRODUIT. LA DURÉE DE TOUTE GARANTIE IMPLICITE, INCLUANT LES GARANTIES DE QUALITÉ MARCHANDE OU D'ADAPTATION À UNE UTILISATION PARTICULIÈRE, EST LIMITÉE PAR LES PRÉSENTES À LA PÉRIODE À CINQ ANNÉES DE LA PRÉSENTE GARANTIE. Certaines provinces ne permettent pas de limiter la durée des garanties tacites et, par conséquent, la présente limitation peut ne pas s'appliquer.

La présente garantie donne au consommateur des droits spécifiques et certains autres droits qui peuvent varier d'une province à l'autre.

Pour toute question concernant la présente garantie, prière d'écrire aux Services à la clientèle de Resideo à l'adresse suivante : Resideo Customer Relations, 1985 Douglas Dr, Golden Valley, MN 55422 ou composer le 1-800-468-1502.



resideo

www.resideo.com

Resideo Technologies Inc.
1985 Douglas Drive North, Golden Valley, MN 55422
1-800-468-1502
33-00298EFS-07 M.S. Rev. 05-20 | Imprimé aux États-Unis

© 2020 Resideo Technologies, Inc. All rights reserved.

The Honeywell Home trademark is used under license from Honeywell International, Inc. This product is manufactured by Resideo Technologies, Inc. and its affiliates.

Tous droits réservés. La marque de commerce Honeywell Home est utilisée avec l'autorisation d'Honeywell International, Inc.

Ce produit est fabriqué par Resideo Technologies, Inc. et ses sociétés affiliées.

Todos los derechos reservados. La marca comercial Honeywell Home se utiliza bajo licencia de Honeywell International, Inc.

Este producto es fabricado por Resideo Technologies, Inc. y sus afiliados.

DR90/DR120A3000

SOBRE SU NUEVO DESHUMIDIFICADOR

Acerca del deshumidificador	
DR90/DR120A3000	2
Opciones de control	3
DR90 Especificaciones	4
DR120 Especificaciones	5

INSTALACIÓN

Realice la instalación según sus necesidades	6
Plomería	7
Descripción de las terminales	8
Cableado	8
Revisión	11

MANTENIMIENTO

Limpieza	11
Descripción técnica	12
Localización y solución de problemas	12
Lista de piezas DR90	14
Lista de piezas DR120	15
Garantía limitada de 5 años	16

- El DR90/DR120A3000 está diseñado para ser instalado en interiores en un espacio protegido de la lluvia y de inundaciones.
- Instale la unidad de manera tal que quede espacio suficiente para acceder al panel frontal para realizar el mantenimiento y el servicio técnico.
- Evite que el aire de descarga se dirija en dirección a las personas o sobre el agua de áreas de piscinas.
- Si lo utiliza cerca de una piscina o bañera de hidromasaje, asegúrese de que la unidad no corra el riesgo de caer en el agua ni de recibir salpicaduras; también asegúrese de que esté enchufada a un tomacorriente con interruptor de falla a tierra (IFT).
- Para garantizar un funcionamiento silencioso, no coloque el dispositivo directamente sobre los soportes estructurales de la casa.
- Si la unidad se instala sobre una zona habitable o sobre una zona en la que una pérdida de agua podría ocasionar daños, se debe colocar una bandeja de desagüe debajo de la unidad.



- 1. Nunca utilice una unidad con un cable de alimentación dañado. Si el cable de alimentación está dañado el fabricante, el agente de servicio o una persona con calificaciones similares debe reemplazarlo para evitar riesgos.**
- 2. La unidad no está destinada para el uso por personas (incluyendo niños) con capacidad física, sensorial o mental limitada, o con falta de experiencia y conocimiento, a menos que una persona responsable de su seguridad les haya brindado supervisión o instrucción relativa al uso de la unidad. Los niños pequeños deben estar supervisados para garantizar que no jueguen con la unidad.**



¿NECESITA AYUDA? Para obtener ayuda sobre este producto, visite <http://customer.resideo.com> llame de manera gratuita al Servicio al cliente al 1-800-468-1502.

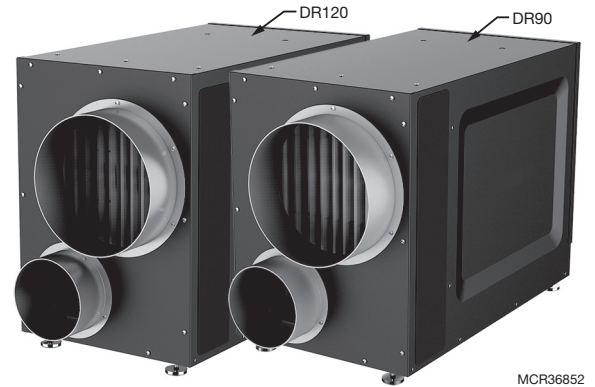
Lea y guarde estas instrucciones.

Acerca del deshumidificador DR90/DR120A3000

Debido a su alto rendimiento y eficacia, el DR90/DR120A3000 garantiza que la casa se mantenga a niveles de humedad adecuados.

Beneficios

- Retira hasta 90 (DR90) o 120 (DR120) pintas (42.6 l o 56.8 l) de agua al día del aire de interiores
- Suministro de aire fresco incorporado
- Calificación Energy Star
- Disyuntor del circuito del transformador integrado



Mantenimiento de la humedad ideal

Los puntos de rocío y la humedad relativa (HR) influyen en la manera en que su cuerpo siente el calor. Los niveles más altos de humedad hacen que el aire se sienta mucho más caliente que la temperatura real. Si lo mantiene correctamente, es posible que su equipo de enfriamiento no funcione demasiado porque el aire deshumidificado se siente más fresco.

Según lo definen los expertos de la industria*, la humedad ideal es la que se encuentra entre el 40 y el 60%, en base a un promedio anual.

CÓMO SE SIENTE EL AIRE

CUÁN CALIENTE SE SIENTE EL AIRE DEBIDO A LA COMBINACIÓN DE CALOR Y HUMEDAD. EJEMPLO: SI EL AIRE ESTÁ A 90 °F (32 °C) CON UN 50% DE HR, ¡EL CUERPO HUMANO LO SIENTE COMO SI FUERAN 96 °F (36 °C)!

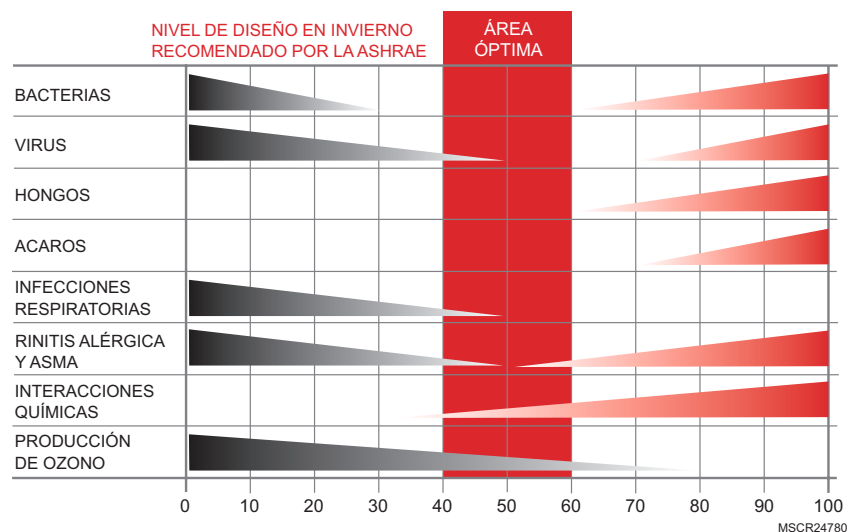
		HUMEDAD RELATIVA (PORCENTAJE)																											
		0	5	10	15	20	25	30	35	40	45	50	55	60	65	70	75	80	85	90	95	100							
TEMPERATURA DEL AIRE (GRADOS FAHRENHEIT)	100	91	93	95	97	99	101	104	107	110	115	120	126	132	138	144											<div style="display: flex; flex-direction: column; align-items: center;"> <div style="width: 15px; height: 15px; background-color: #800000; margin-bottom: 5px;"></div> PELIGRO EXTREMO <div style="width: 15px; height: 15px; background-color: #FF4500; margin-bottom: 5px;"></div> PELIGRO <div style="width: 15px; height: 15px; background-color: #FF8C00; margin-bottom: 5px;"></div> PRECAUCIÓN EXTREMA <div style="width: 15px; height: 15px; background-color: #FFA07A; margin-bottom: 5px;"></div> PRECAUCIÓN </div>		
	95	87	88	90	91	93	94	96	98	101	104	107	110	114	118	124	130	136											
	90	83	84	85	86	87	88	90	91	93	95	96	98	100	102	106	109	113	117	122									
	85	78	79	80	81	82	83	84	85	86	87	88	89	90	91	93	95	97	99	102	105	108							
	80	73	74	75	76	77	77	78	79	79	80	81	81	82	83	85	86	86	87	88	89	91							
	75	69	69	70	71	72	72	73	73	74	74	75	75	76	76	77	77	78	78	79	79	80							
	70	64	64	65	65	66	66	67	67	68	68	69	69	70	70	70	71	71	71	71	71	71	72						

FUENTE: EL ÍNDICE DE TEMPERATURA Y HUMEDAD LO DEDUJO R.G. STEADMAN, REVISTA JOURNAL OF APPLIED METEOROLOGY, JULIO DE 1979.

MS27328

Cuando la humedad interior es mayor al 60%, la casa está mucho más propensa al crecimiento de moho y hongos. El DR90/DR120A3000 protege la casa del exceso de humedad durante todo el año.

* Sociedad Americana de Ingenieros en Calefacción, Refrigeración y Aire Acondicionado (American Society of Heating, Refrigerating and Air Conditioning Engineers, ASHRAE).



MSCR24780

Opciones de control

El DR90/DR120A3000 puede utilizarse con uno de los siguientes controles externos:



Termostato inteligente T10 Pro

- Controla la calefacción/refrigeración y la deshumidificación
- Programación de ventilación para la hora del día o las normas Ashrae.
- Bloqueos de ventilación opcionales para condiciones de temperatura o humedad alta/baja usando el clima a través de Internet cuando se registra en la aplicación.



Termostato Prestige™ IAQ Kit

- Controla la calefacción/refrigeración y la deshumidificación
- Sensor inalámbrico para visualizar la temperatura y la humedad exteriores
- La programación avanzada de la ventilación cuenta con apagado en condiciones extremas y para economizar
- Recordatorios de mantenimiento y de servicio técnico
- Pantalla de alta definición a color
- Tecnología inalámbrica RedLINK™



Termostato VisionPRO™ Smart o VisionPRO™ RedLINK

- Wi-Fi™ (TH8321WF1001) o tecnología inalámbrica RedLINK™ (TH8321R1001)
- Controles de calefacción/refrigeración y ventilación.
- Visualización de temperatura y humedad exteriores.
- Programación de ventilación por horas del día o estándares Ashrae.
- Bloqueos de ventilación opcionales para condiciones de alta/baja temperatura o humedad. Sensor inalámbrico para exteriores C7089R1013 para el modelo RedLINK. Clima a través de Internet para el modelo Smart.



Control de humedad digital HumidiPRO

- Control de deshumidificación manual
- Protección del compresor del deshumidificador
- Calibración de la temperatura exterior y del % de HR
- Límites de rango superior e inferior ajustables (10-90%)



Control digital TrueIAQ

- Los ajustes automáticos mantienen el aire fresco en la vivienda
- Sensor para visualizar la temperatura y la humedad exterior
- La programación avanzada de la ventilación cuenta con apagado en condiciones extremas y para economizar
- Recordatorios de mantenimiento y de servicio técnico
- Controla otros equipos de calidad de aire en interiores



Deshumidistato manual y automático controles de ventilación

- Control manual de humedad con configuraciones intuitivas y cómodas
- Control automático de ventilación W8150 conforme al código de la ASHRAE o para un funcionamiento continuo

DR90 Especificaciones

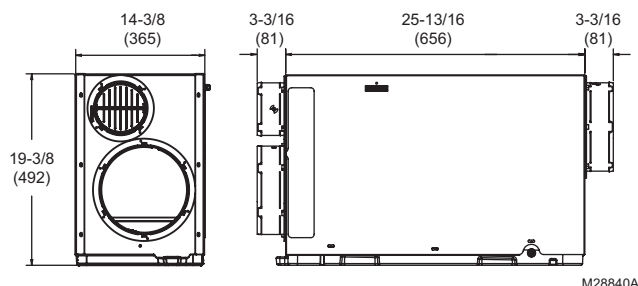
Instale su DR90A3000 según los códigos nacionales de electricidad.

Temperatura de bulbo seco	Humedad de entrada	Capacidad (pintas [L]/día)
80°F (26,7°C)	60% de RH	90 (42,6 L)
70°F (21,1°C)	60% de RH	65 (30,8 L)
60°F (15,6°C)	60% de RH	47 (22,2 L)

Tamaño de la casa (pies [metros] cuadrados)	Capacidad del deshumidificador necesaria para mantener la HR* interior deseada		
	60% de HR interior (pintas [L]/día)	50% de HR interior (pintas [L]/día)	40% de HR interior (pintas [L]/día)
2080 (193,2)	49-54 (23 L - 26 L)	55-58 (26 L - 27 L)	71-78 (34 L - 37 L)
2600 (241,5)	61-68 (29 L - 32 L)	65-72 (31 L - 34 L)	90-97 (43 L - 46 L)
3120 (289,9)	75-82 (35 L - 39 L)	79-86 (37 L - 41 L)	95-110 (45 L - 52 L)

* En base a climas extremos donde la humedad exterior es del 70 al 90% de HR. En el caso de climas menos extremos, las casas más grandes pueden aclimatarse correctamente con menos capacidad. Es posible que los requisitos reales varíen.

Dimensiones en pulgadas y (mm):



Peso del producto: 86 libras (39 kg)

Peso de embarque: 95 libras (43,1 kg)

Dimensiones de embarque: 25,2 pulgadas (64 cm) de alto x 19,3 pulgadas (49 cm) de ancho x 35,8 pulgadas (90,9 cm) de largo.

Filtro: MERV 11, valor de eficiencia mínima informado de 14 pulgadas (35,5 cm) de alto x 17,5 pulgadas (44,5 cm) de ancho x 1,75 pulgadas (4,5 cm) de profundidad.

Conexión del desagüe: conexión hembra con rosca NPT de 3/4 de pulgada (19,1 mm) con conexión macho incorporada de 3/4 de pulgada (19,1 mm).

Conexiones del conducto: entrada y salida redonda de 10 pulgadas (25,4 cm). Suministro de entrada de 6 pulgadas (15,3 cm). Plástico ABS, apto para la conexión a conductos rígidos o flexibles con tornillos para lámina de metal y/o cinta adhesiva.

Gabinete: acero galvanizado calibre 20, pintado con pintura en polvo.

Aislamiento: Valor R 1

Compresor: Rotativo, 7.3 KBTU

Flujo de aire versus presión estática externa (0 a 1 pulgada [0 a 25,4 mm] de presión de agua) con anillos incorporados

0 pulgadas (0 mm)	320 CFM (9060 L/m)
0,2 pulgadas (5 mm)	280 CFM (7930 L/m)
0,4 pulgadas (10 mm)	260 CFM (7360 L/m)
0,6 pulgadas (15,2 mm)	215 CFM (6090 L/m)

Refrigerante: R-410A, 25 oz (0,71 kg)

Rango de temperatura de funcionamiento (afuera del gabinete):

34°F a 135°F (1,1°C a 57,2°C)

Rango de humedad de funcionamiento:
0-99% de HR

Calificaciones de entrada

- Voltaje de entrada: 120 Vca, 60 Hz nominal
- Corriente de entrada: 5,3 A

Calificaciones de salida

- **Transformador de energía para las terminales R/C:** 24 Vca, 0,85 A
- **Rendimiento energético:** 2,9 litros (6,1 pintas) por kilovatio-hora (kWh)

Normas y requisitos del organismo encargado de la aprobación

- ETL Listado según UL 474 y CSA C22.2 No 92
- Calificación ENERGY STAR.

DR120 Especificaciones

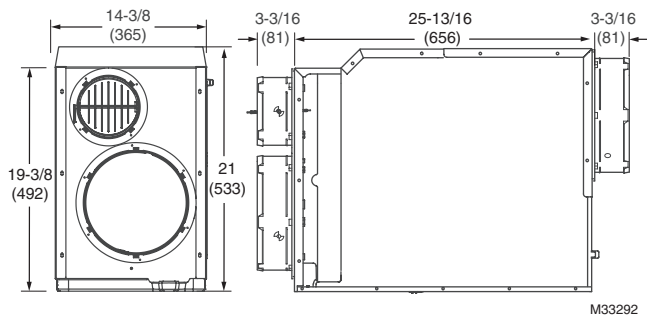
Instale su DR120A3000 según los códigos nacionales de electricidad.

Temperatura de bulbo seco	Humedad de entrada	Capacidad (pintas [L]/día)
80°F (26,7°C)	60% RH	120 (56,8 L)
70°F (21,1°C)	60% RH	88 (41,6 L)
60°F (15,6°C)	60% RH	63 (29,8 L)

Tamaño de la casa (pies [metros] cuadrados)	Capacidad del deshumidificador necesaria para mantener la HR* interior deseada		
	60% de HR interior (pintas [L]/día)	50% de HR interior (pintas [L]/día)	40% de HR interior (pintas [L]/día)
2080 (193,2)	49-54 (23 L - 26 L)	55-58 (26 L - 27 L)	71-78 (34 L - 37 L)
2600 (241,5)	61-68 (29 L - 32 L)	65-72 (31 L - 34 L)	90-97 (43 L - 46 L)
3120 (289,9)	75-82 (35 L - 39 L)	79-86 (37 L - 41 L)	95-110 (45 L - 52 L)

* En base a climas extremos donde la humedad exterior es del 70 al 90% de HR. En el caso de climas menos extremos, las casas más grandes pueden aclimatarse correctamente con menos capacidad. Es posible que los requisitos reales varíen.

Dimensiones en pulgadas y (mm):



Flujo de aire versus presión estática externa (0 a 1 pulgada [0 a 25,4 mm] de presión de agua) con anillos incorporados

0 pulgadas, (0 mm)	400 CFM (11300 L/m)
0,2 pulgadas, (5 mm)	345 CFM (9770 L/m)
0,4 pulgadas, (10 mm)	295 CFM (8350 L/m)
0,6 pulgadas, (15,2 mm)	250 CFM (7080 L/m)

Peso del producto: 95 libras (43,1 kg)

Peso de embarque: 104 libras (47,2 kg)

Dimensiones de embarque: 26 pulgadas (66 cm) de alto x 19,3 pulgadas (49 cm) de ancho x 35,8 pulgadas (90,9 cm) de profundidad

Filtro: MERV 11, valor de eficiencia mínima informado de 14 pulgadas (35,5 cm) de alto x 17,5 pulgadas (44,5 cm) de ancho x 1,75 pulgadas (4,5 cm) de profundidad.

Conexión del desagüe: conexión hembra con rosca NPT de 3/4 de pulgada (19,1 mm)

Conexiones del conducto: entrada y salida redonda de 10 pulgadas (25,4 cm). Suministro de entrada de 6 pulgadas (15,3 cm). Plástico ABS, apto para la conexión a conductos rígidos o flexibles con tornillos para lámina de metal y/o cinta adhesiva.

Gabinete: acero galvanizado calibre 20, pintado con pintura en polvo.

Aislamiento: Valor R 1

Compresor: Rotativo, 9,4 KBTU

Refrigerant: R-410A, 30 oz (0,85 kg)

Rango de temperatura de funcionamiento (afuera del gabinete):

34°F a 135°F (1,1°C a 57,2°C)

Rango de humedad de funcionamiento:

- 0-99% de HR

Calificaciones de entrada

- Voltaje de entrada: 120 Vca, 60 Hz nominal
- Corriente de entrada: 7,3 A

Calificaciones de salida

- **Transformador de energía para las terminales R/C:** 24 Vca, 0,85 A
- **Rendimiento energético:** 2,9 litros (6,1 pintas) por kilovatio-hora (kWh)

Normas y requisitos del organismo encargado de la aprobación

- ETL Listado según UL 474 y CSA C22.2 No 92
- Calificación ENERGY STAR.

Realice la instalación según sus necesidades

Se recomienda utilizar un conducto flexible al conectar los anillos del DR90/DR120A3000 para reducir el ruido producido por la vibración.



Dimensiones del conducto: Utilice un diámetro redondo de 10 pulgadas (25,4 cm) como mínimo para los conductos que tengan un largo de hasta 25 pies (7,6 m). Se necesita un mínimo de 12 pulgadas (30,4 cm) para aquellos que tengan un largo de más de 25 pies (7,6 m). Las ramificaciones de los conductos de la entrada/salida principal deben ser redondas, de 10 pulgadas (25,4 cm) como mínimo para 2 a 3 ramificaciones y de 12 pulgadas (30,4 cm) o más grandes para 4 o más ramificaciones.

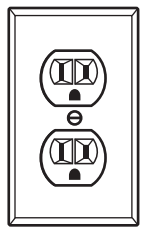
Para el puerto opcional del ventilador de aire fresco, utilice conductos redondos aislados de 6 pulgadas (15,2 cm) que tengan un largo de hasta 50 pies (15,2 m).

Utilice conductos redondos de 8 pulgadas (20,3 cm) para longitudes mayores a 50 pies (15,2 m), o si se requieren más de 100 CFM.

Áreas aisladas: para lograr una deshumidificación efectiva, es posible que se necesiten conductos para las áreas aisladas o con flujo de aire estancado.

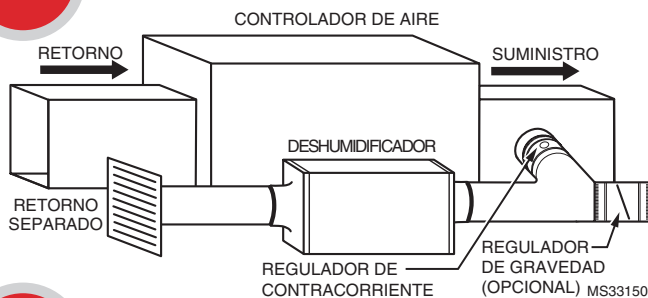
Requisitos eléctricos:

Tomacorriente de 115 Vca. Se recomienda un interruptor de falla a tierra (IFT)..



M24745

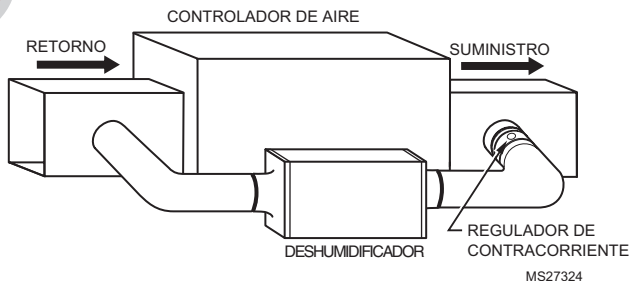
A Retorno principal a retorno principal



Ideal cuando...

- Está disponible el acceso al retorno central dedicado para el deshumidificador.
- Combinado con el funcionamiento del aire acondicionado, requiere un regulador de contratrache en el orificio de escape para minimizar el contratrache cuando el deshumidificador no está encendido pero el aire acondicionado sí.
- (opcional) Suministro humidificador por conducto con regulador de gravedad abierto al 20 % para proporcionar aire seco a un área específica.

B Retorno principal a suministro principal

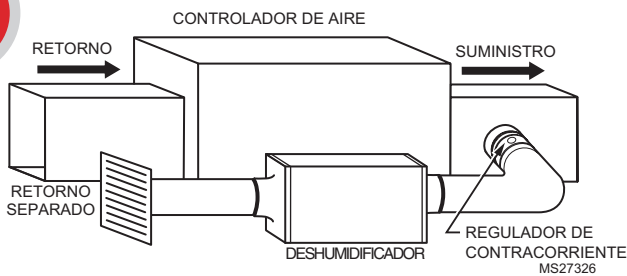


Ideal cuando...

- Ejecutar el deshumidificador cuando el aire acondicionado no está funcionando.
- Requiere regulador de contratrache en el orificio de escape para minimizar el contratrache cuando el DR90/DR120A3000 no está encendido pero el aire acondicionado sí.
- No es posible el acceso a un retorno central dedicado.
- Para obtener mejores resultados, el ventilador del sistema debe funcionar con el deshumidificador.

Realice la instalación según sus necesidades (continuación)

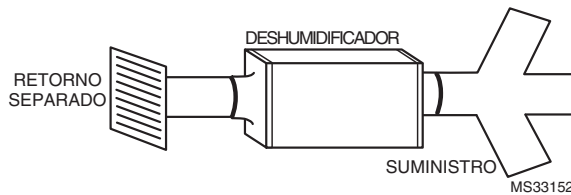
C Retorno especial a suministro principal



Ideal cuando...

- Funcionamiento de DR90/120A3000 con aire acondicionado.
- Es preferible minimizar el aumento de la temperatura del aire de descarga (DAT).
- No es posible el acceso a un retorno central dedicado.

D Retorno especial a suministro especial



Ideal cuando...

- El deshumidificador no se unirá por conducto a un sistema de climatización (HVAC) de aire forzado.

Plomería



Fije una boquilla de desagüe NPT macho de 3/4 in (19,1 mm).

Conecte un tubo de desagüe de 1/2 pulgada (12,7 mm) a la salida de desagüe con conexión macho.

Asegure el tubo de desagüe al conector con la abrazadera de la manguera.

Dirija la manguera de desagüe siempre hacia abajo y hacia un desagüe aprobado o a una bomba de condensado.

La tubería de drenaje debe incluir un colector de agua para evitar que el aire ingrese o egrese del deshumidificador.

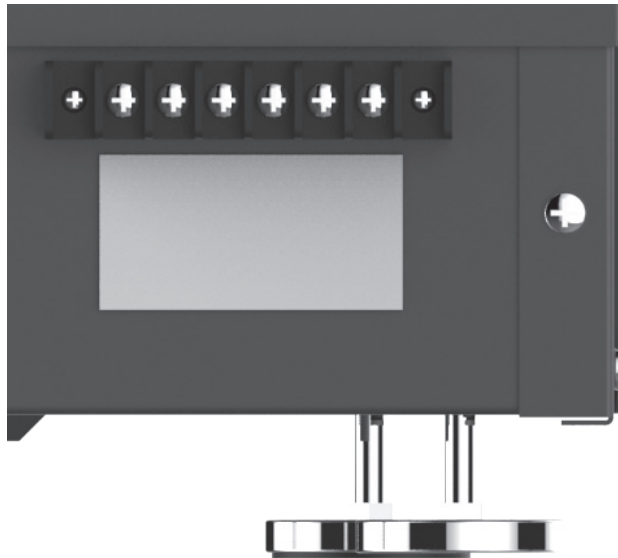
Descripción de las terminales



PRECAUCIÓN: Peligro de bajo voltaje.

Puede dañar el equipo.

Desconecte el equipo de calefacción, ventilación y aire acondicionado (HVAC) antes de comenzar la instalación.



NOTA: Los tornillos externos del bloque terminal aseguran el bloque al chasis. No se utilizan para el cableado.

Hay un bloque de terminales de cableado en el panel lateral de la unidad deshumidificadora.

Los seis terminales del bloque terminal (de izquierda a derecha en la foto) son:

FLOAT: Interruptor externo del flotador de bajo voltaje o sensor de agua (dos terminales). Utilice el interruptor normalmente cerrado.

DHUM: (deshumidificador) Funcionamiento del compresor y del ventilador para la deshumidificación

R: Salida del DR90/120 24V

FAN: (ventilador) Activación del ventilador únicamente para ventilación

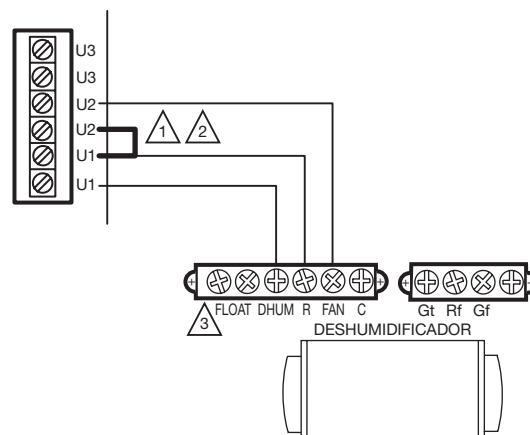
C: Salida del DR90/120 24V

Los dispositivos externos de 24V pueden alimentarse en los terminales R y C (20VA máx.).

Cableado

Conecte el DR90/DR120A3000 según el diagrama que se aplique al funcionamiento que usted desee.

Siga este diagrama si utiliza el termostato Prestige™.

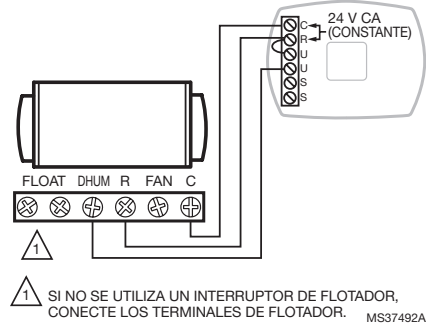


- 1** EN ESTE DIAGRAMA, U1 CONTROLA DR90/DR120 PARA DESHUMIDIFICAR Y U2 CONTROLA DR90/DR120 PARA VENTILAR.
- 2** INSTALE UN PUENTE EN EIM COMO SE MUESTRA, SOLO CUANDO USE DR90/DR120 PARA LA VENTILACIÓN ADEMÁS DE LA DESHUMIDIFICACIÓN.
- 3** SI NO SE UTILIZA UN INTERRUPTOR DE FLOTADOR, CONECTE LOS TERMINALES DE FLOTADOR.

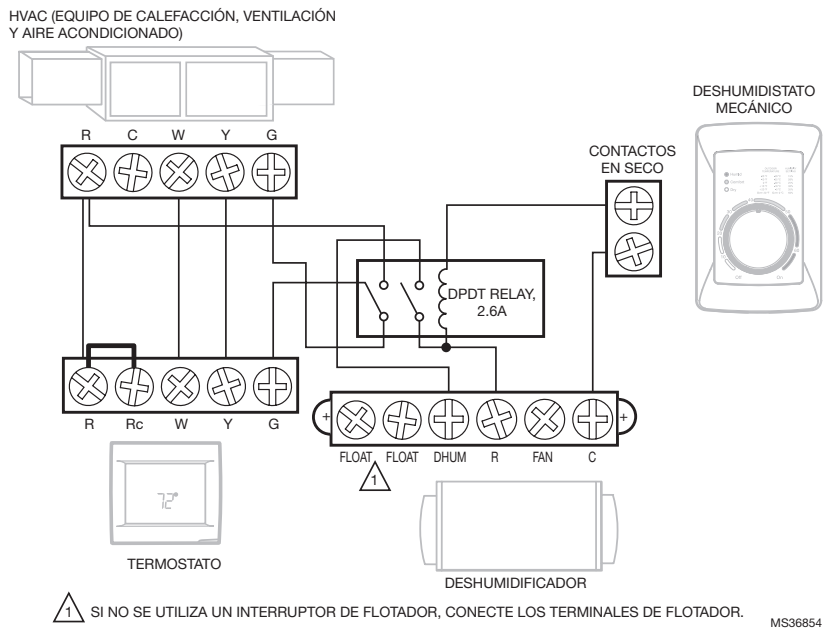
MS38418

Cableado (continuación)

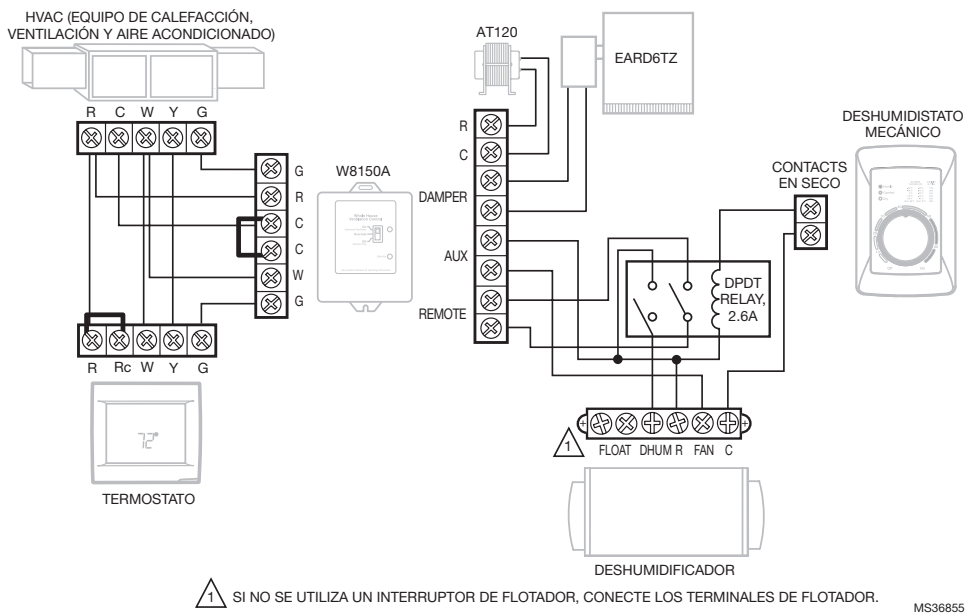
SIGA ESTE DIAGRAMA SI UTILIZA EL CONTROLADOR DIGITAL DE HUMEDAD HUMIDIPRO.



SIGA ESTE DIAGRAMA SI UTILIZA UN DESHUMIDISTATO MANUAL EXTERNO.

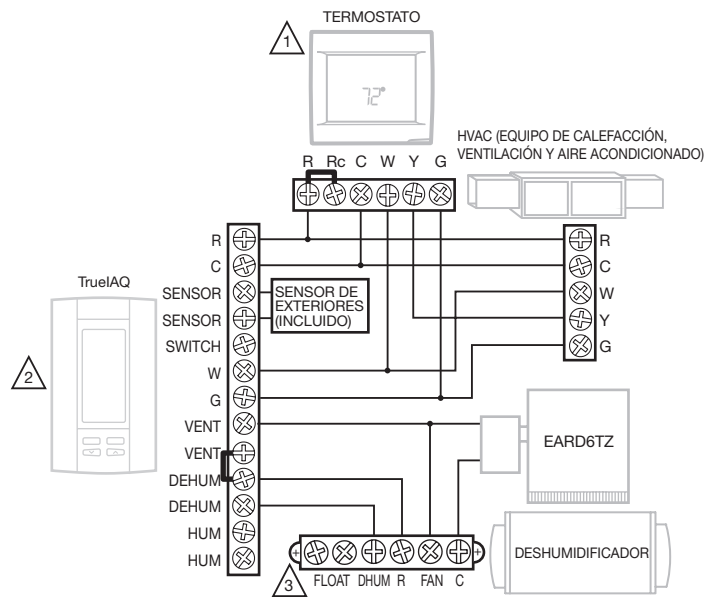


SIGA ESTE DIAGRAMA PARA EL FUNCIONAMIENTO ENTUBADO CON UN CONTROL DE HUMEDAD Y VENTILACIÓN EXTERNO.



Cableado (continuación)

Siga este diagrama si utiliza el DR90/120A3000 con un deshumidistato eléctrico, tal como el TrueIAQ (DG115EZIAQ).



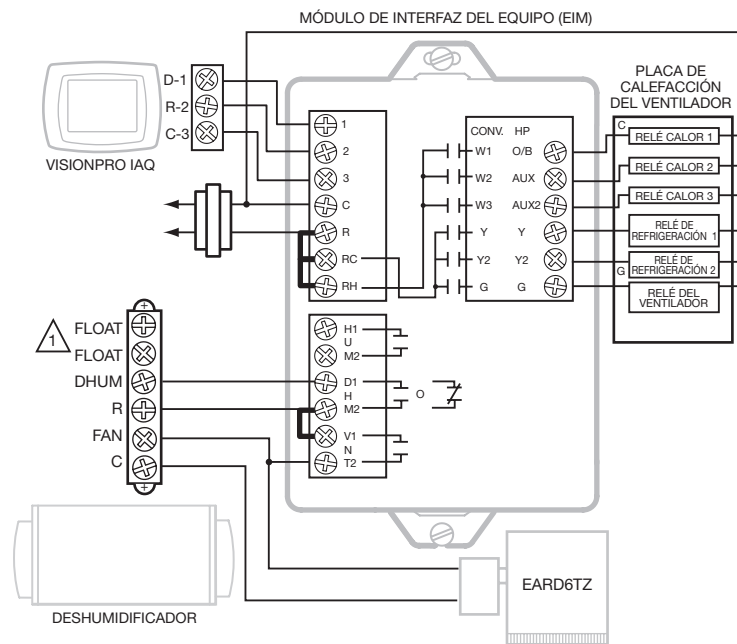
1 SI SE UTILIZA UN TERMOSTATO QUE NO SEA EL TH5110, TH5220, TH5320, TH6110, TH6220, TH6320, TH8110, TH8320 O TH8321, ES POSIBLE QUE SEA NECESARIO UTILIZAR UN RELÉ PARA AISLAR EL CABLE G.

2 programe la configuración ISU de 60 a Ø para hacer que el ventilador del sistema se encienda cuando se active la deshumidificación.

3 SI NO SE UTILIZA UN INTERRUPTOR DE FLOTADOR, CONECTE LOS TERMINALES DE FLOTADOR.

MS36856

Siga este diagrama si utiliza el DR90/120A3000 con el VisionPRO IAQ.



1 SI NO SE UTILIZA UN INTERRUPTOR DE FLOTADOR, CONECTE LOS TERMINALES DE FLOTADOR.

MS36857

Revisión

Conecte la energía al DR90/DR120A3000. Coloque el control de humedad a un nivel bajo del % de HR para comenzar con la demanda de deshumidificación. Confirme que el compresor y el ventilador del DR90/DR120A3000 estén encendidos. El soplador de calefacción también se encenderá para hacer circular el aire. Esto puede demorar hasta dos minutos. Cerciórese de girar el control al % de HR deseada o a Off (apagado) cuando haya terminado la revisión.

Si lo utiliza para ventilación, inicie una demanda de ventilación. Confirme que el ventilador de DR90/DR120A3000 esté encendido, pero que el compresor permanezca apagado.

Limpieza

Anualmente, cumpla con los siguientes requisitos de mantenimiento para asegurar que el deshumidificador funcione a máxima eficiencia.

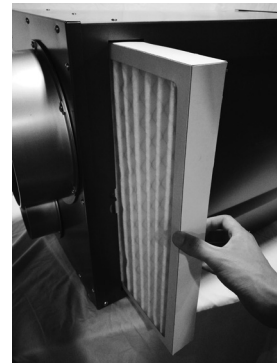
1

Desenchufe el DR90/DR120A3000 antes de comenzar el mantenimiento. Retire la puerta del filtro magnético.



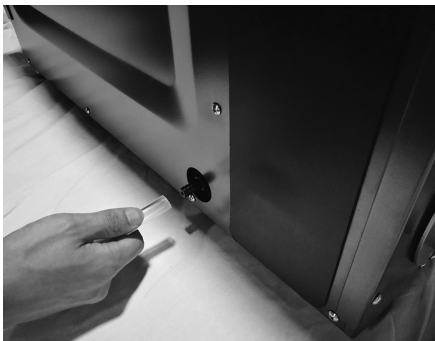
2

Retire el filtro y cámbielo por uno nuevo.



3

Verifique la conexión del desagüe y la línea de desagüe para asegurarse de que no tengan desechos ni sedimentos. Después de realizar el mantenimiento en las líneas de desagüe, asegúrese de que todas las conexiones de la manguera estén aseguradas.



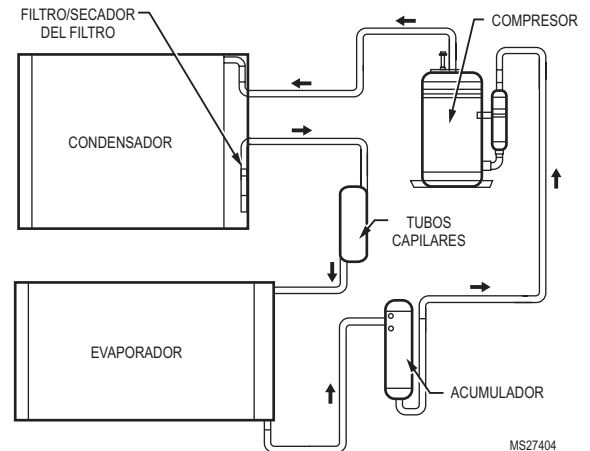
4

Al finalizar el mantenimiento, realice una demanda de deshumidificación y verifique que el compresor y el ventilador se activen. Si utiliza los controles del VisionPRO IAQ o del TrueIAQ, vuelva a configurar los recordatorios de mantenimiento.

Descripción técnica

El DR90A3000 utiliza un sistema de refrigeración, similar al utilizado en los aires acondicionados, que elimina el calor y la humedad del aire entrante y agrega calor al aire que se descarga.

El gas refrigerante caliente de alta presión se dirige desde el compresor hasta la bobina del condensador. Al darle calor al aire que está por salir de la unidad, el refrigerante se enfría y condensa. El líquido refrigerante pasa a través del secador del filtro y de los tubos capilares, lo que hace que la presión refrigerante y la temperatura disminuyan. Luego ingresa en la bobina del evaporador donde absorbe el calor del aire entrante y se evapora. El evaporador funciona en un estado inundado, es decir, durante el funcionamiento normal, todos los tubos del evaporador tienen líquido refrigerante. El evaporador inundado debe mantener la presión y la temperatura casi constantes en toda la bobina, desde la entrada hasta la salida.



Localización y solución de problemas

Los videos de solución de problemas están disponibles en la lista de reproducción del canal de YouTube de Resideo Pro.



PRECAUCIÓN: La realización de la reparación del DR65A3000 con el sistema refrigerante de alta presión y el circuito de alto voltaje significa un riesgo para la salud y puede provocar la muerte, lesiones corporales graves y/o daños a la propiedad. La reparación la debe realizar únicamente un técnico de reparación calificado.

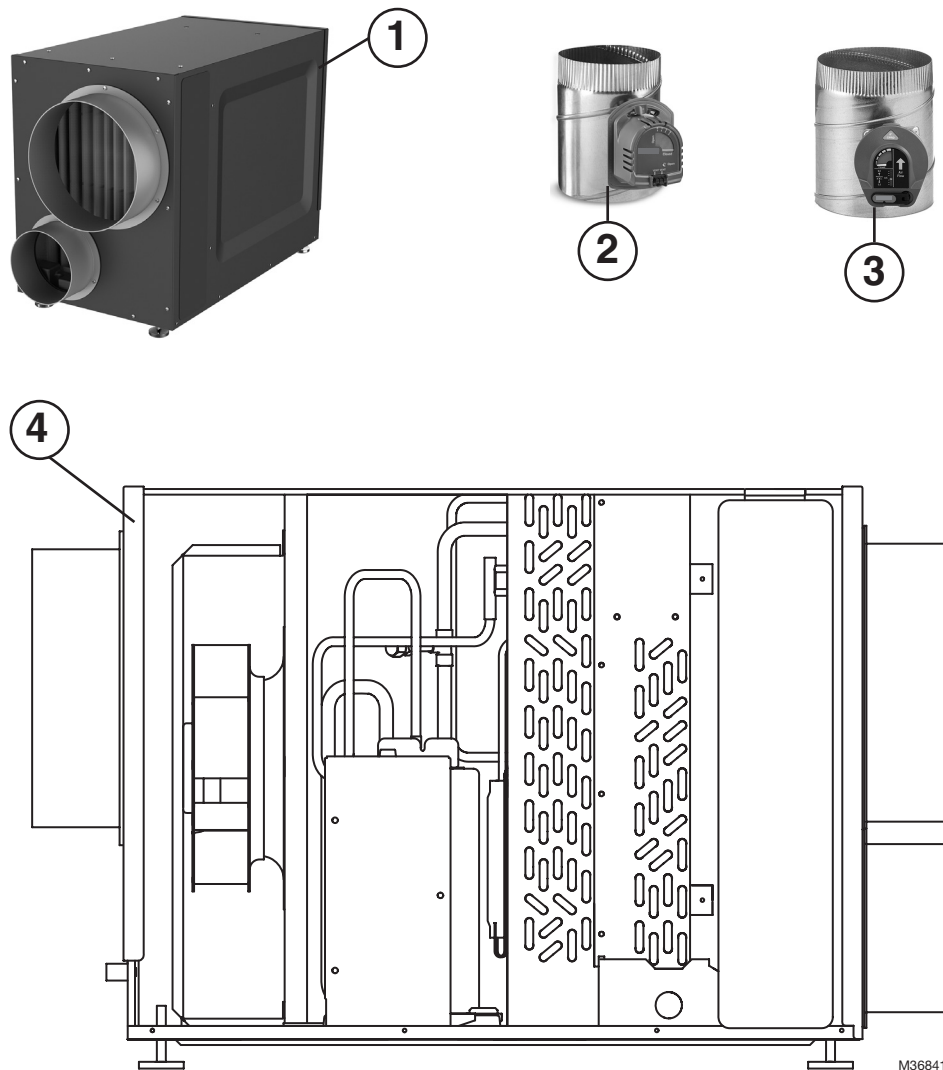
Problema	Pasos recomendados para solucionar problemas
No hay deshumidificación. Ni el ventilador ni el compresor funcionan y el temporizador de ventilación está en la posición OFF (apagado).	<ol style="list-style-type: none"> 1. La unidad está desenchufada o no hay suministro de energía al tomacorriente. 2. La configuración del control de humedad es demasiado alta o el control de humedad está defectuoso. 3. La conexión está suelta en el cableado interno o de control. 4. El relé del compresor está defectuoso. 5. El transformador del control está defectuoso. 6. El interruptor de seguridad de la bomba de condensado opcional está abierto.
No hay deshumidificación. El compresor no funciona, pero el ventilador funciona cuando hay una demanda de deshumidificación y el control de ventilación está en la posición OFF (apagado).	<ol style="list-style-type: none"> 1. El condensador de funcionamiento del compresor está defectuoso. 2. La conexión en el circuito del compresor es inadecuada. 3. La sobrecarga del compresor está defectuosa. 4. El compresor está defectuoso. 5. El termostato de descongelamiento está abierto. 6. El interruptor de seguridad de la bomba de condensado opcional está abierto.
El ventilador funciona cuando hay una demanda de deshumidificación y el control de ventilación está en la posición OFF (apagado), pero el compresor se prende y apaga con demasiada frecuencia.	<ol style="list-style-type: none"> 1. La temperatura ambiente y/o la humedad bajas hacen que la unidad comience el ciclo a través de la modalidad de descongelamiento. 2. La sobrecarga del compresor está defectuosa. 3. El compresor está defectuoso. 4. El termostato de descongelamiento está defectuoso. 5. El o los filtros de aire están sucios o el flujo de aire es limitado. 6. La carga de refrigerante es baja, lo que provoca que el control de descongelamiento comience el ciclo. 7. La conexión en el circuito del compresor es inadecuada. El ventilador no funciona, independientemente de la posición en la que se encuentre el interruptor.

Localización y solución de problemas (continuación)

Problema	Pasos recomendados para solucionar problemas
El ventilador no funciona con la ventilación activada. El compresor funciona poco tiempo, pero se prende y apaga con el control de humedad en la posición ON (encendido).	<ol style="list-style-type: none"> 1. La conexión en el circuito del ventilador está suelta. 2. El ventilador no gira debido a una obstrucción. 3. El ventilador está defectuoso. 4. El relé del ventilador está defectuoso. 5. El condensador del ventilador está defectuoso.
El serpentín del evaporador se escarcha constantemente, la capacidad de deshumidificación es baja.	<ol style="list-style-type: none"> 1. El termostato de descongelamiento está suelto o defectuoso. 2. La carga de refrigerante es baja. 3. El o los filtros de aire están sucios o el flujo de aire es limitado.
La unidad no proporciona ventilación.	<ol style="list-style-type: none"> 1. Verifique las conexiones del cable del control (también controle las conexiones del regulador de aire fresco). 2. El regulador de aire fresco está defectuoso. 3. La entrada de aire está sucia. Limpie la cubierta externa de la entrada de .
La unidad elimina un poco de agua, pero no tanto como se esperaba.	<ol style="list-style-type: none"> 1. La temperatura ambiente y/o la humedad ha descendido. 2. El medidor de humedad o el termómetro que se utilizan están descalibrados. 3. La unidad ingresó al ciclo de descongelamiento. 4. El filtro de aire está sucio. 5. El termostato de descongelamiento está defectuoso. 6. La carga de refrigerante es baja. 7. Filtración de aire debido a una cubierta suelta o por filtraciones en los conductos. 8. El compresor está defectuoso. 9. Los conductos están restringidos. 10. El interruptor de seguridad de la bomba de condensado opcional está abierto.
Prueba de la unidad para determinar el problema:	<ol style="list-style-type: none"> 1. Desconecte las conexiones de cableado del control de campo de la unidad principal. 2. Conecte los contactos R y FAN de la unidad principal; debe funcionar el ventilador del propulsor solamente. Desconecte los cables. 3. Conecte los contactos R y DHUM de la unidad principal; deben funcionar el compresor y el ventilador del propulsor. 4. Si estas pruebas funcionan, la unidad principal funciona correctamente. A continuación debe verificar el panel de control y el cableado del control de campo para comprobar si hay problemas. 5. Retire el panel de control de la caja de montaje y desconéctelo del cableado de control de campo instalado. Conecte los cables azul, amarillo y verde del panel de control directamente a los cables flexibles de conexión de color de la unidad principal. ¡Deje los cables violeta, blanco y rojo desconectados! 6. Encienda el control de humedad. El compresor y el ventilador del propulsor deben funcionar. 7. Si estas pruebas funcionan, es muy probable que el problema se encuentre en el cableado del control de campo.

Lista de piezas DR90

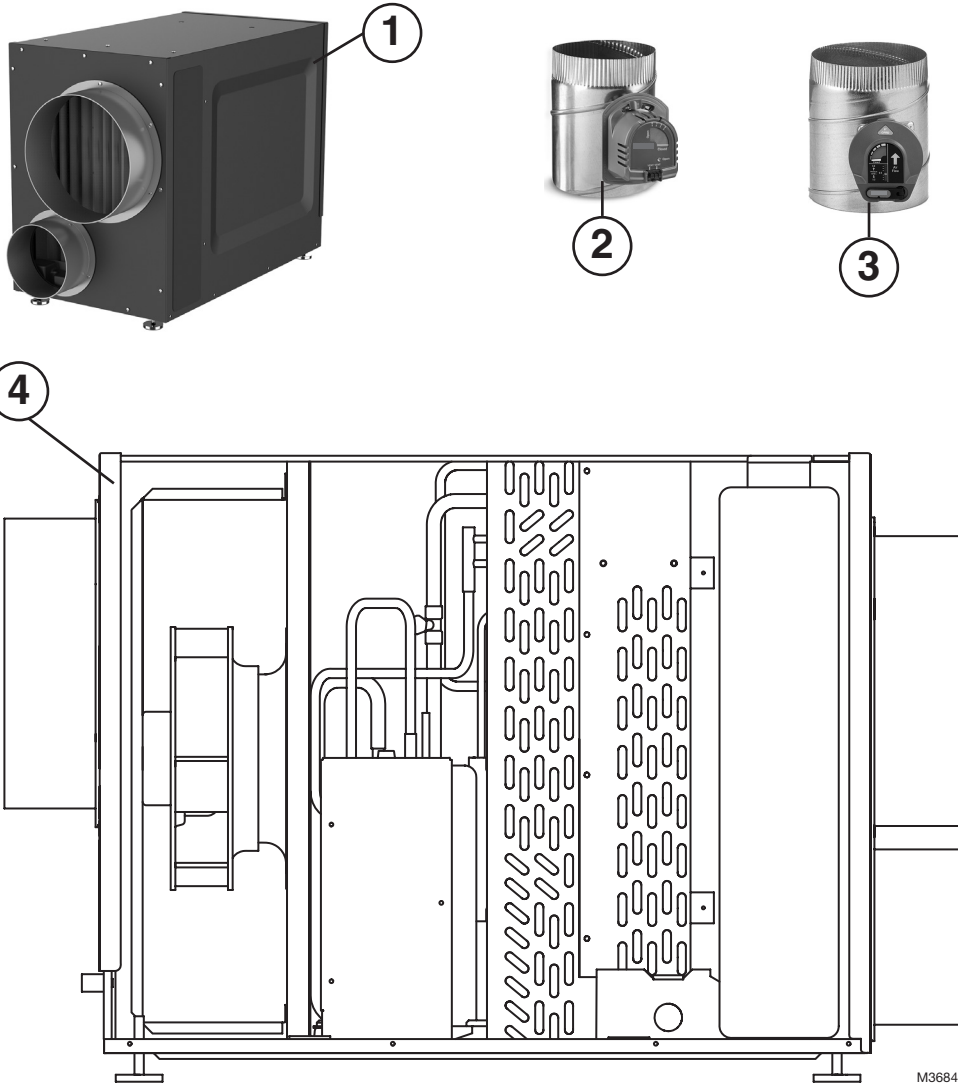
Referencia de las figuras	Base y piezas accesorias	Número de pieza
1	Deshumidificador	DR90A3000/U
2	Regulador motorizado de ventilación	EARD6TZ
3	Regulador de desvío	CPRD8
4	Filtro	50070171-002



Solo por referencia.

Lista de piezas DR120

Referencia de las figuras	Base y piezas accesorias	Número de pieza
1	Deshumidificador	DR120A3000/U
2	Regulador motorizado de ventilación	EARD6TZ
3	Regulador de desvío	CPRD8
4	Filtro	50070171-002



Solo por referencia.

Poliza de garantia

IMPORTADO EN MEXICO POR:
INSTROMET MEXICANA S DE R L DE C V
Avenida Insurgentes 2453, Piso 6,
Tizapan, Alvaro Obregon,
Ciudad de Mexico, CP 01090
Telefono: 01 (55) 800 00423

Instromet Mexicana S. de R.L. de C.V. garantiza que éste producto está libre de defectos en su mano de obra y materiales contra cualquier defecto de fabricación y funcionamiento, bajo uso normal, por el término de 2 años a partir de la fecha de la compra por el consumidor. Si se determina que el producto esta defectuoso o presenta algún funcionamiento erróneo, Instromet Mexicana S. de R.L. de C.V. deberá reparar o reemplazar (a opción de Instromet) el producto bajo las siguientes condiciones:

1. Regresar el producto y la póliza de garantía, acompañado de la factura de venta o algún otro comprobante de compra fechado al establecimiento donde se realizó la compra, o a la siguiente dirección. En la cual también tendrá la información para obtener las partes, componentes, consumibles y accesorios del producto: Av. Salvador Nava Martínez 3125, Col. Colinas del Parque. San Luis Potosí, SLP Mexico 78294.
2. O puedes llamar al centro de atención al cliente al 01-800-083-5925 para México (ver teléfonos para otros países) donde se determinará si el producto debe regresarse o si se enviará un reemplazo del producto al consumidor sin costo alguno cubriendo los gastos que se deriven del cumplimiento de la presente garantía incluyendo los gastos de transporte. No es necesario pedir piezas ni accesorios. El producto será reemplazado bajo esta garantía.

Nota: Esta garantía no cubre gastos de mano de obra por re-instalación. No ampara el reemplazo de la pieza si el defecto ocurre por daño causado por el consumidor o desgaste normal.

La única responsabilidad de Instromet será reparar o reemplazar el producto dentro de los términos establecidos más arriba. Instromet Mexicana S. de R.L. de C.V. no será responsable de ninguna pérdida o daño de ningún tipo, incluidos los daños incidentales o derivados, que resulten, de manera directa o indirecta, del incumplimiento de la garantía, expresa o implícita, o de cualquier otra falla de este producto.

Esta garantía es la única garantía expresa que Instromet Mexicana S. de R.L. de C.V. ofrece respecto de este producto. La duración de cualquier garantía implícita, incluidas las garantías de comerciabilidad e idoneidad para un fin específico, se limita por el presente a la duración de dos años de esta garantía.

Esta garantía no es válida en los siguientes casos:

1. Cuando el producto haya sido utilizado en condiciones distintas a las normales (aquellas para las que está destinado).
2. Cuando el producto no ha sido operado de acuerdo con el instructivo de uso e instalación proporcionado.
3. Cuando el producto ha sido alterado o reparado por personas no autorizadas por Instromet Mexicana S. de R.L. de C.V.

Datos del producto:

Marca: _____

Modelo: _____

Número de serie: _____

Nombre del consumidor: _____

Dirección (calle y número): _____

Delegación o municipio: _____

Ciudad, estado y código postal: _____

Sello del establecimiento y fecha de compra



resideo

www.resideo.com

Resideo Technologies Inc.
1985 Douglas Drive North, Golden Valley, MN 55422
1-800-468-1502
33-00298EFS-07 M.S. Rev. 05-20 | Impreso en EE. UU.

© 2020 Resideo Technologies, Inc. All rights reserved.
The Honeywell Home trademark is used under license from Honeywell International, Inc. This product is manufactured by Resideo Technologies, Inc. and its affiliates.
Tous droits réservés. La marque de commerce Honeywell Home est utilisée avec l'autorisation d'Honeywell International, Inc.
Ce produit est fabriqué par Resideo Technologies, Inc. et ses sociétés affiliées.
Todos los derechos reservados. La marca comercial Honeywell Home se utiliza bajo licencia de Honeywell International, Inc.
Este producto es fabricado por Resideo Technologies, Inc. y sus afiliados.